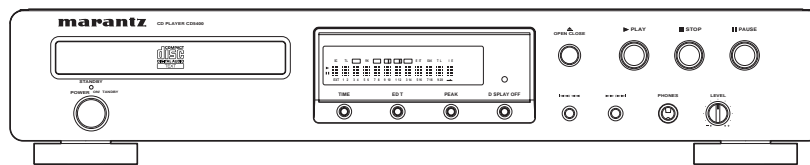


# Service Manual

CD5400 /F1N/LIG/N1G  
/N1B/T1B/U1B

CD5400

CD Player



## TABLE OF CONTENTS

SECTION	PAGE
1. TECHNICAL SPECIFICATIONS .....	1
2. SERVICE HINTS AND TOOLS .....	2
3. WARNING AND LASER SAFETY INSTRUCTIONS .....	3
4. SERVICE MODE AND EMERGENCY DISC EJECT .....	4
5. WIRING DIAGRAM .....	5
6. BLOCK DIAGRAM .....	7
7. SCHEMATIC DIAGRAM .....	9
8. PARTS LOCATION .....	15
9. MICROPROCESSOR AND IC DATA .....	21
10. EXPLODED VIEW AND PARTS LIST .....	31
11. ELECTRICAL PARTS LIST .....	36

Please use this service manual with referring to the user guide ( D.F.U. ) without fail.  
修理の際は、必ず取扱説明書を準備し操作方法を確認の上作業を行ってください。

# marantz®

## CD5400

## MARANTZ DESIGN AND SERVICE

Using superior design and selected high grade components, **MARANTZ** company has created the ultimate in stereo sound. Only original **MARANTZ** parts can insure that your **MARANTZ** product will continue to perform to the specifications for which it is famous.

Parts for your **MARANTZ** equipment are generally available to our National Marantz Subsidiary or Agent.

### ORDERING PARTS :

Parts can be ordered either by mail or by Fax.. In both cases, the correct part number has to be specified.

The following information must be supplied to eliminate delays in processing your order :

1. Complete address
2. Complete part numbers and quantities required
3. Description of parts
4. Model number for which part is required
5. Way of shipment
6. Signature : any order form or Fax. must be signed, otherwise such part order will be considered as null and void.

#### USA

**MARANTZ AMERICA, INC**  
1100 MAPLEWOOD DRIVE  
ITASCA, IL. 60143  
USA  
PHONE : 630 - 741 - 0300  
FAX : 630 - 741 - 0301

#### EUROPE / TRADING

**MARANTZ EUROPE B.V.**  
P. O. BOX 8744, BUILDING SILVERPOINT  
BEEMDSTRAAT 11, 5653 MA EINDHOVEN  
THE NETHERLANDS  
PHONE : +31 - 40 - 2507844  
FAX : +31 - 40 - 2507860

#### CANADA

**LENBROOK INDUSTRIES LIMITED**  
633 GRANITE COURT,  
PICKERING, ONTARIO L1W 3K1  
CANADA  
PHONE : 905 - 831 - 6333  
FAX : 905 - 831 - 6936

#### PROFESSIONAL AMERICAS

**SUPERSCOPE TECHNOLOGIES, INC.**  
MARANTZ PROFESSIONAL PRODUCTS  
2640 WHITE OAK CIRCLE, SUITE A  
AURORA, ILLINOIS 60504 USA  
PHONE : 630 - 820 - 4800  
FAX : 630 - 820 - 8103

#### PROFESSIONAL AUSTRALIA

**TECHNICAL AUDIO GROUP PTY, LTD**  
43-53 Bridge Rd.,  
STANMORE NSW 2048  
AUSTRALIA  
PHONE : +61 - (0)2 - 9519 - 0900  
FAX : +61 - (0)2 - 9519 - 0600

#### PROFESSIONAL HONG KONG

**Jolly ProAudio Broadcast Engineering Ltd.**  
UNIT 2, 10F, WAH HUNG CENTRE,  
41 HUNG TO ROAD, KWUN TONG, KLN.,  
HONG KONG  
PHONE : 852 - 21913660  
FAX : 852 - 21913990

#### AUSTRALIA

**QualiFi Pty Ltd,**  
24 LIONEL ROAD,  
MT. WAVERLEY VIC 3149  
AUSTRALIA  
PHONE : +61 - (0)3 - 9543 - 1522  
FAX : +61 - (0)3 - 9543 - 3677

#### THAILAND

**MRZ STANDARD CO., LTD**  
746 - 754 MAHACHAI ROAD.,  
WANGBURAPAPIROM, PHRANAKORN,  
BANGKOK, 10200 THAILAND  
PHONE : +66 - 2 - 222 9181  
FAX : +66 - 2 - 224 6795

#### SINGAPORE

**WO KEE HONG DISTRIBUTION PTE LTD**  
130 JOO SENG ROAD  
#03-02 OLIVINE BUILDING  
SINGAPORE 368357  
PHONE : +65 6858 5535 / +65 6381 8621  
FAX : +65 6858 6078

#### NEW ZEALAND

**WILDASH AUDIO SYSTEMS NZ**  
14 MALVERN ROAD MT ALBERT  
AUCKLAND NEW ZEALAND  
PHONE : +64 - 9 - 8451958  
FAX : +64 - 9 - 8463554

#### TAIWAN

**PAI- YUING CO., LTD.**  
6 TH FL NO, 148 SUNG KIANG ROAD,  
TAIPEI, 10429, TAIWAN R.O.C.  
PHONE : +886 - 2 - 25221304  
FAX : +886 - 2 - 25630415

#### MALAYSIA

**WO KEE HONG ELECTRONICS SDN. BHD.**  
2ND FLOOR BANGUNAN INFINITE CENTRE  
LOT 1, JALAN 13/6, 46200 PETALING JAYA  
SELANGOR DARUL EHSAN, MALAYSIA  
PHONE : +60 - 3 - 7954 8088  
FAX : +60 - 3 - 7954 7088

#### JAPAN Technical

**MARANTZ JAPAN, INC.**  
35- 1, 7- CHOME, SAGAMIONO  
SAGAMIHARA - SHI, KANAGAWA  
JAPAN 228-8505  
PHONE : +81 42 748 1013  
FAX : +81 42 741 9190

#### 日本マランツ株式会社

本社 〒228-8505  
神奈川県相模原市相模大野7-35-1

#### KOREA

**MK ENTERPRISES LTD.**  
ROOM 604/605, ELECTRO-OFFICETEL, 16-58,  
3GA, HANGANG-RO, YONGSAN-KU, SEOUL  
KOREA  
PHONE : +822 - 3232 - 155  
FAX : +822 - 3232 - 154

### SHOCK, FIRE HAZARD SERVICE TEST :

**CAUTION :** After servicing this appliance and prior to returning to customer, measure the resistance between either primary AC cord connector pins ( with unit NOT connected to AC mains and its Power switch ON ), and the face or Front Panel of product and controls and chassis bottom.

Any resistance measurement less than 1 Megohms should cause unit to be repaired or corrected before AC power is applied, and verified before it is return to the user/customer.

Ref. UL Standard No. 1492.

In case of difficulties, do not hesitate to contact the Technical Department at above mentioned address.

# 1. TECHNICAL SPECIFICATIONS

## Audio characteristics

Channels ..... 2 channels  
Frequency response..... 2 Hz to 20 kHz  
Dynamic range ..... 100 dB  
Signal-to-noise ratio ..... 110 dB  
Channel separation ..... 100 dB (1 kHz)  
Harmonic distortion ..... 0.0025% (1 kHz)  
Wow & flutter ..... Precision of quartz  
Error correction system ..... Cross-interleave Reed  
Solomon code (CIRC)  
Audio output .....2.0 V rms, stereo  
Headphone output.... 18 mW/32 ohms (variable maximum)  
Digital output  
Coaxial output (pin jack) .....0.5 Vp-p, 75 ohm  
Optical output (square optical connector) ..... -19 dBm

## Optical readout system

Laser ..... AlGaAs semiconductor  
Wavelength.....780 nm

## Signal system

Sampling frequency.....44.1 kHz  
Quantization ..... 16-bit linear/channel

## Power supply

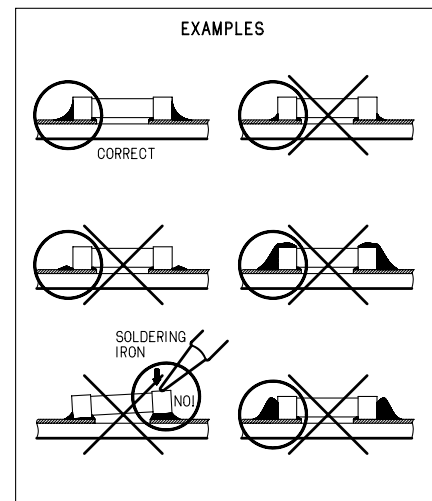
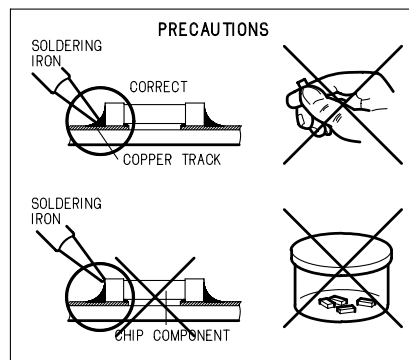
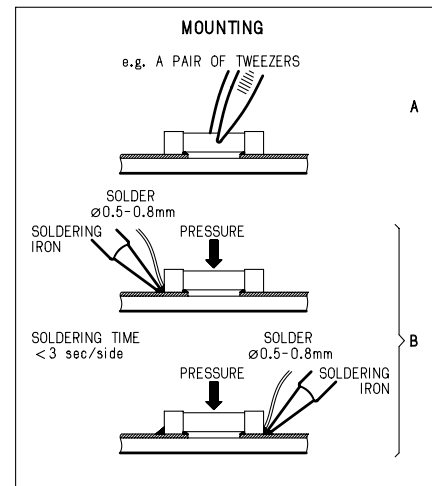
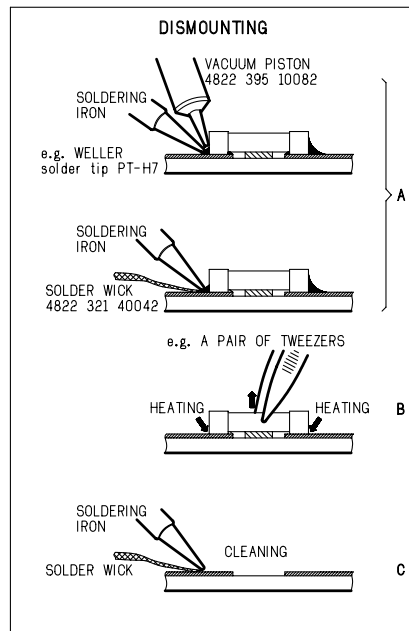
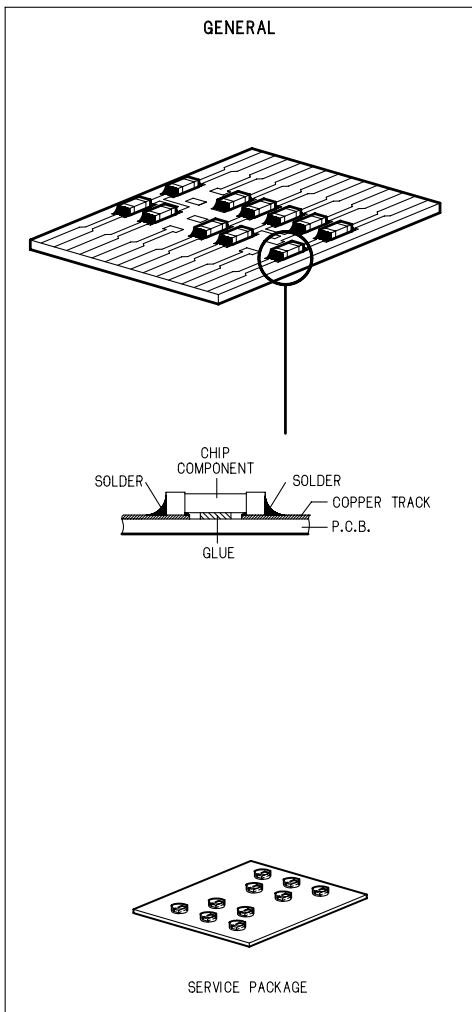
F version..... AC 100 V 50 /60 Hz  
L version..... AC 110 V 60 Hz  
N, T version ..... AC 230 V 50 Hz  
U version ..... AC 120 V 60 Hz  
Power consumption .....12 W

## Cabinet, etc.

Maximum dimensions..... 440(W) x 89(H) x 317 (D) mm  
17-5/16(W) x 3-1/2(H) x 12-1/2 (D) in  
Weight ..... 3.7 kg  
8.14 lbs  
Allowable operating temperature.....+5 to +35 °C  
Allowable operating humidity..5 to 90 % (no condensation)

## 2. SERVICE HINTS AND TOOLS

### SERVICE HINTS



### SERVICE TOOLS

Audio signals disc

4822 397 30184

Disc without errors (SBC444)+Disc with DO errors,  
black spots and fingerprints (SBC444A)

4822 397 30245

Disc (65 min 1kHz) without no pause

4822 397 30155

Max. diameter disc (58.0 mm)

4822 397 60141

13th order filter

4822 395 30204

### 3. WARNING AND LASER SAFETY INSTRUCTIONS

**GB WARNING**

All ICs and many other semi-conductors are susceptible to electrostatic discharges (ESD). Careless handling during repair can reduce life drastically. When repairing, make sure that you are connected with the same potential as the mass of the set via a wrist wrap with resistance. Keep components and tools also at this potential.



**NL WAARSCHUWING**

Alle IC's en vele andere halfgeleiders zijn gevoelig voor elektrostatische ontladingen (ESD). Onzorgvuldig behandelen tijdens reparatie kan de levensduur drastisch doen verminderen. Zorg ervoor dat u tijdens reparatie via een polsband met weerstand verbonden bent met hetzelfde potentiaal als de massa van het apparaat. Houd componenten en hulpmiddelen ook op hetzelfde potentiaal.

**F ATTENTION**

Tous les IC et beaucoup d'autres semi-conducteurs sont sensibles aux décharges statiques (ESD). Leur longévité pourrait être considérablement écourtée par le fait qu'aucune précaution n'est prise à leur manipulation. Lors de réparations, s'assurer de bien être relié au même potentiel que la masse de l'appareil et enfiler le braceleterti d'une résistance de sécurité. Veiller à ce que les composants ainsi que les outils que l'on utilise soient également à ce potentiel.

**D WARNUNG**

Alle IC und viele andere Halbleiter sind empfindlich gegen elektrostatische Entladungen (ESD). Unvorsorgliche Behandlung bei der Reparatur kann die Lebensdauer drastisch vermindern. Sorgen sie dafür, das Sie im Reparaturfall über ein Pulsarmband mit Widerstand mit dem Massepotential des Gerätes verbunden sind. Halten Sie Bauteile und Hilfsmittel ebenfalls auf diesem Potential.

**I AVVERTIMENTO**

Tutti IC e parecchi semi-conduttori sono sensibili alle scariche statiche (ESD). La loro longevità potrebbe essere fortemente ridotta in caso di non osservazione della più grande cauzione alla loro manipolazione. Durante le riparazioni occorre quindi essere collegato allo stesso potenziale che quello della massa dell'apparecchio tramite un braccialetto a resistenza. Assicurarsi che i componenti e anche gli utensili con quali si lavora siano anche a questo potenziale.

**GB**

Safety regulations require that the set be restored to its original condition and that parts which are identical with those specified be used.

**D**

Bei jeder Reparatur sind die geltenden Sicherheitsvorschriften zu beachten. Der Originalzustand des Gerats darf nicht verändert werden. Für Reparaturen sind Original-Ersatzteile zu verwenden.

**NL**

Veiligheidsbepalingen vereisen, dat het apparaat in zijn oorspronkelijke toestand wordt terug gebracht en dat onderdelen, identiek aan de gespecificeerde worden toegepast.

**I**

Le norme di sicurezza esigono che l'apparecchio venga rimesso nelle condizioni originali e che siano utilizzati i pezzi di ricambio identici a quelli specificati.

"Pour votre sécurité, ces documents doivent être utilisés par des spécialistes agréés, seuls habilités à réparer votre appareil en panne."

**F**

Les normes de sécurité exigent que l'appareil soit remis à l'état d'origine et que soient utilisées les pièces de rechange identiques à celles spécifiées.

### LASER SAFETY

This unit employs a laser. Only a qualified service person should remove the cover or attempt to service this device, due to possible eye injury.



**USE OF CONTROLS OR ADJUSTMENTS OR PERFORMANCE OF PROCEDURE OTHER THAN THOSE SPECIFIED HEREIN MAY RESULT IN HAZARDOUS RADIATION EXPOSURE.**

**AVOID DIRECT EXPOSURE TO BEAM**

#### WARNING

**The use of optical instruments with this product will increase eye hazard. Repair handling should take place as much as possible with a disc loaded inside the player**

#### WARNING LOCATION: INSIDE ON LASER COVERSIELD

**CAUTION** VISIBLE AND INVISIBLE LASER RADIATION WHEN OPEN AVOID EXPOSURE TO BEAM  
**ADVARSEL** SYNLIG OG USYNLIG LASERSTRÅLING VED ÅBNING UNDGÅ UDSÆTTELSE FOR STRÅLING  
**ADVARSEL** SYNLIG OG USYNLIG LASERSTRÅLING NÅR DEKSEL ÅPNES UNNGÅ EKSPONERING FOR STRÅLEN  
**VARNING** SYNLIG OCH OSYNLIG LASERSTRÅLNING NÅR DENNA DEL ÅR ÖPPNAD BETRakta EJ STRÅLEN  
**VARO!** AVATT AESSA OLET ALTTIINA NÄKYVÄLLE JA NÄKYMÄTTÖMÄLLE LASER SÄTEILYLLE. ÄLÄ KATSO SÄTEESEEN  
**VORSICHT** SICHTBARE UND UNSICHTBARE LASERSTRAHLUNG WENN ABDECKUNG GEÖFFNET NICHT DEM STRAHL AUSSETZEN  
**DANGER** VISIBLE AND INVISIBLE LASER RADIATION WHEN OPEN AVOID DIRECT EXPOSURE TO BEAM  
**ATTENTION** RAYONNEMENT LASER VISIBLE ET INVISIBLE EN CAS D'OUVERTURE EXPOSITION DANGEREUSE AU FAISCEAU

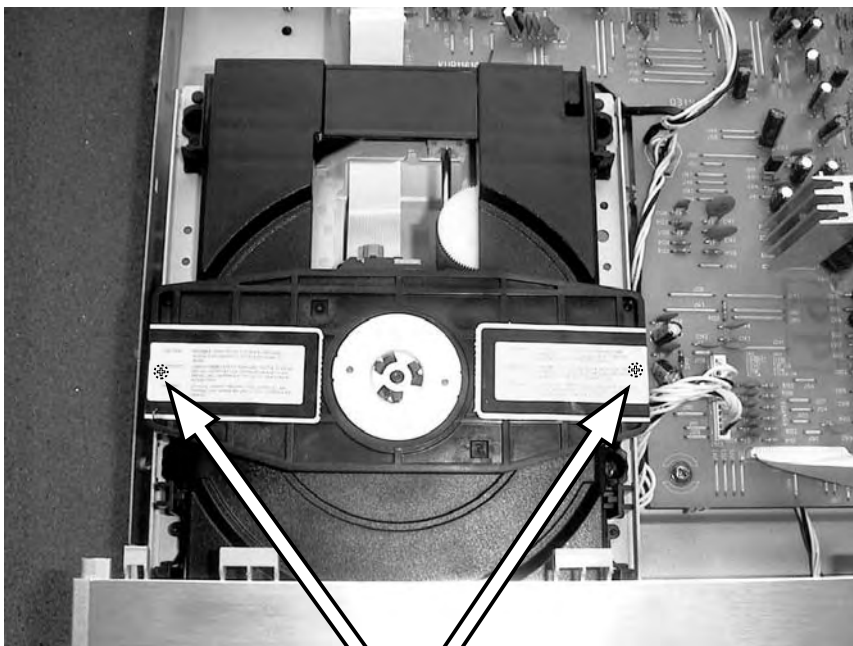
## 4. SERVICE MODE AND EMERGENCY DISC EJECT

### SERVICE MODE

1. Insert mains cable plug in the outlet and press **POWER** button.
  2. Press the **OPEN/CLOSE** button to open the tray.
  3. Press the **TIME** button for about five seconds.
  4. The version number of the microprocessor is displayed Ex: 03-27-01.
  5. Press the **EDIT** button for about five seconds.
  6. Light up all the FL segment.
- Turn off power to quit Service mode.

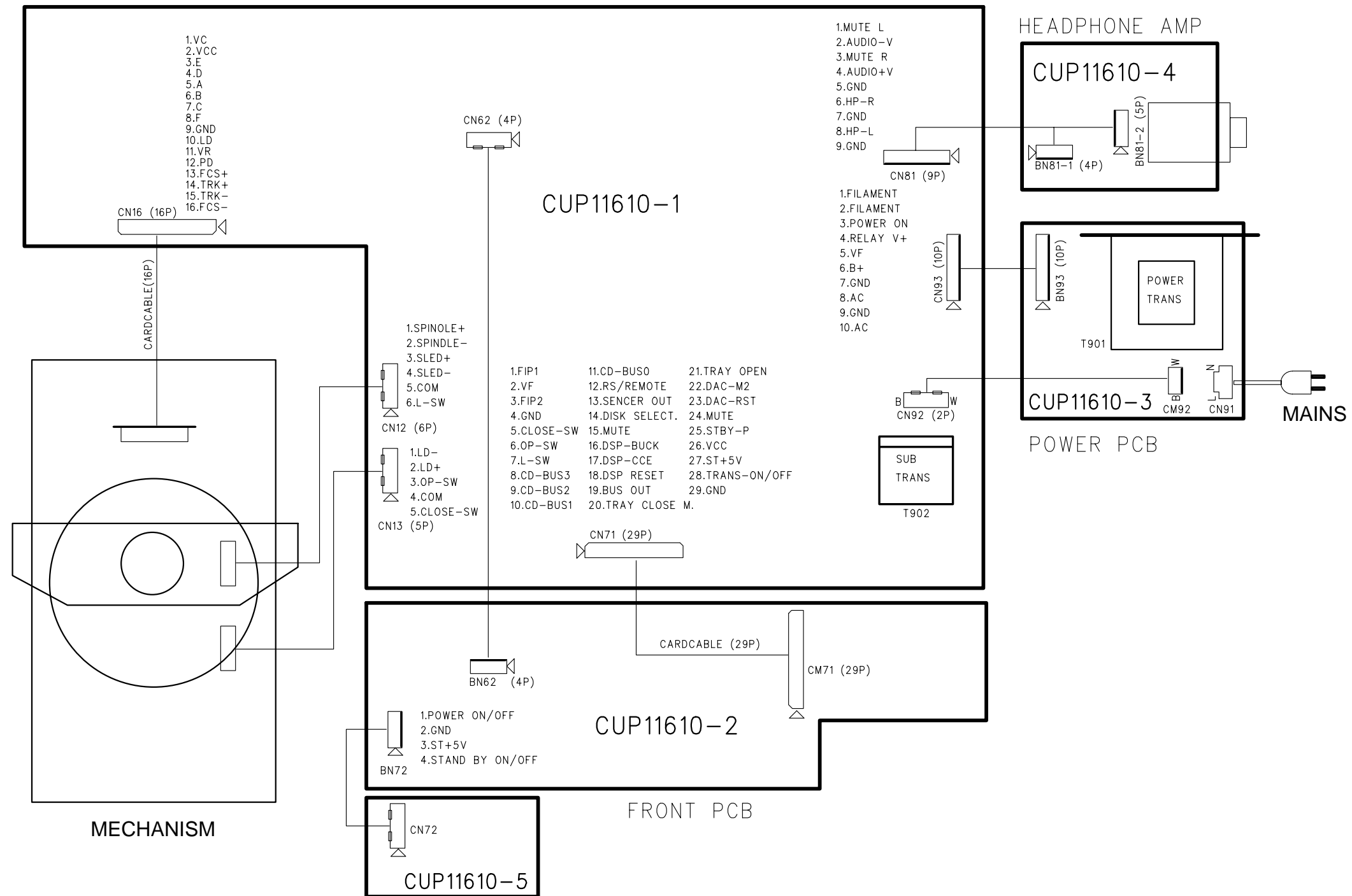
### EMERGENCY DISC EJECT

1. Remove the top cover of the pleyer.
2. Remove 2 screws under the label shown in the picture follows.
3. Remove the disc clamper.
4. Now you can remove the disc.

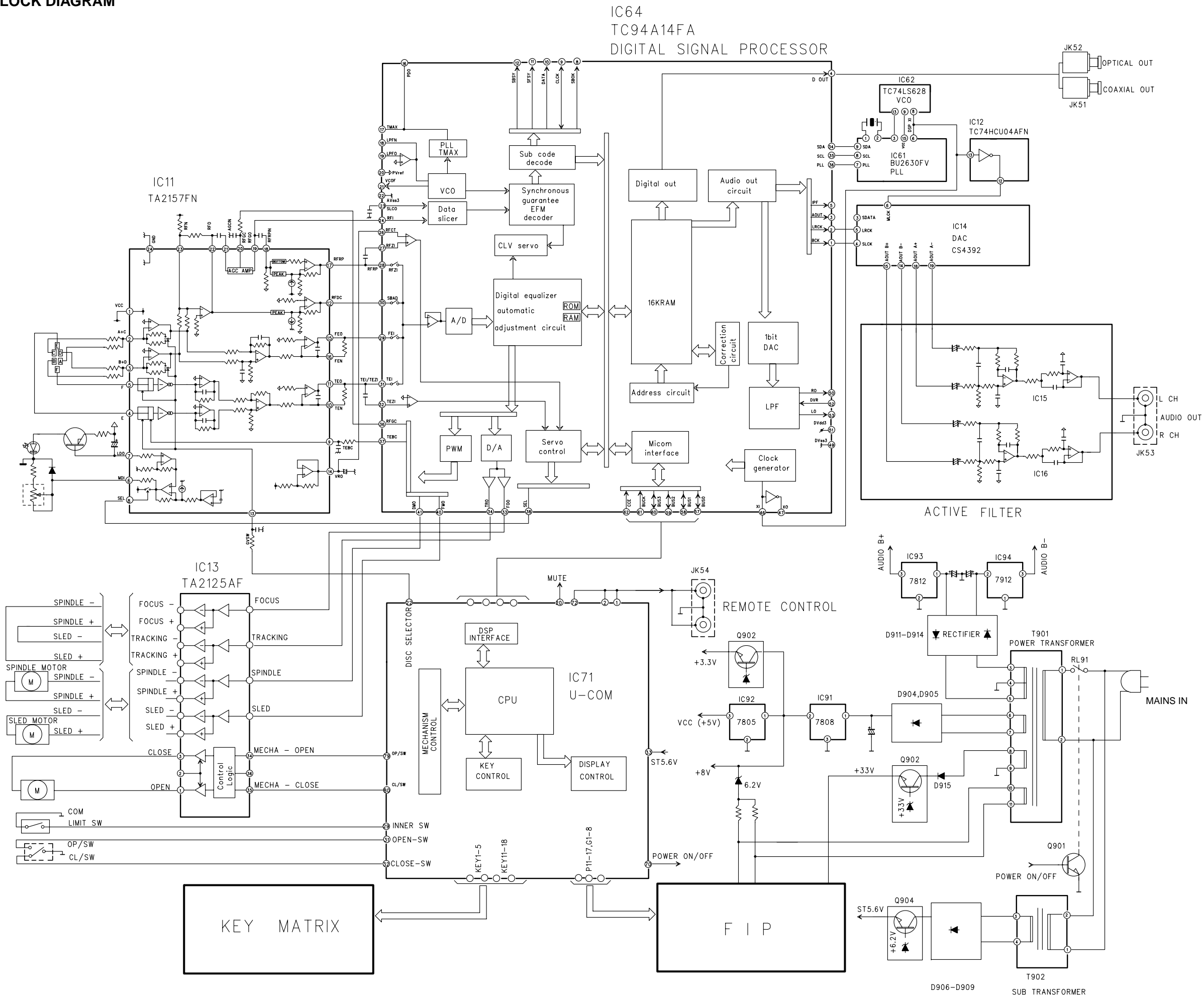


Remove those screws

5. WIRING DIAGRAM

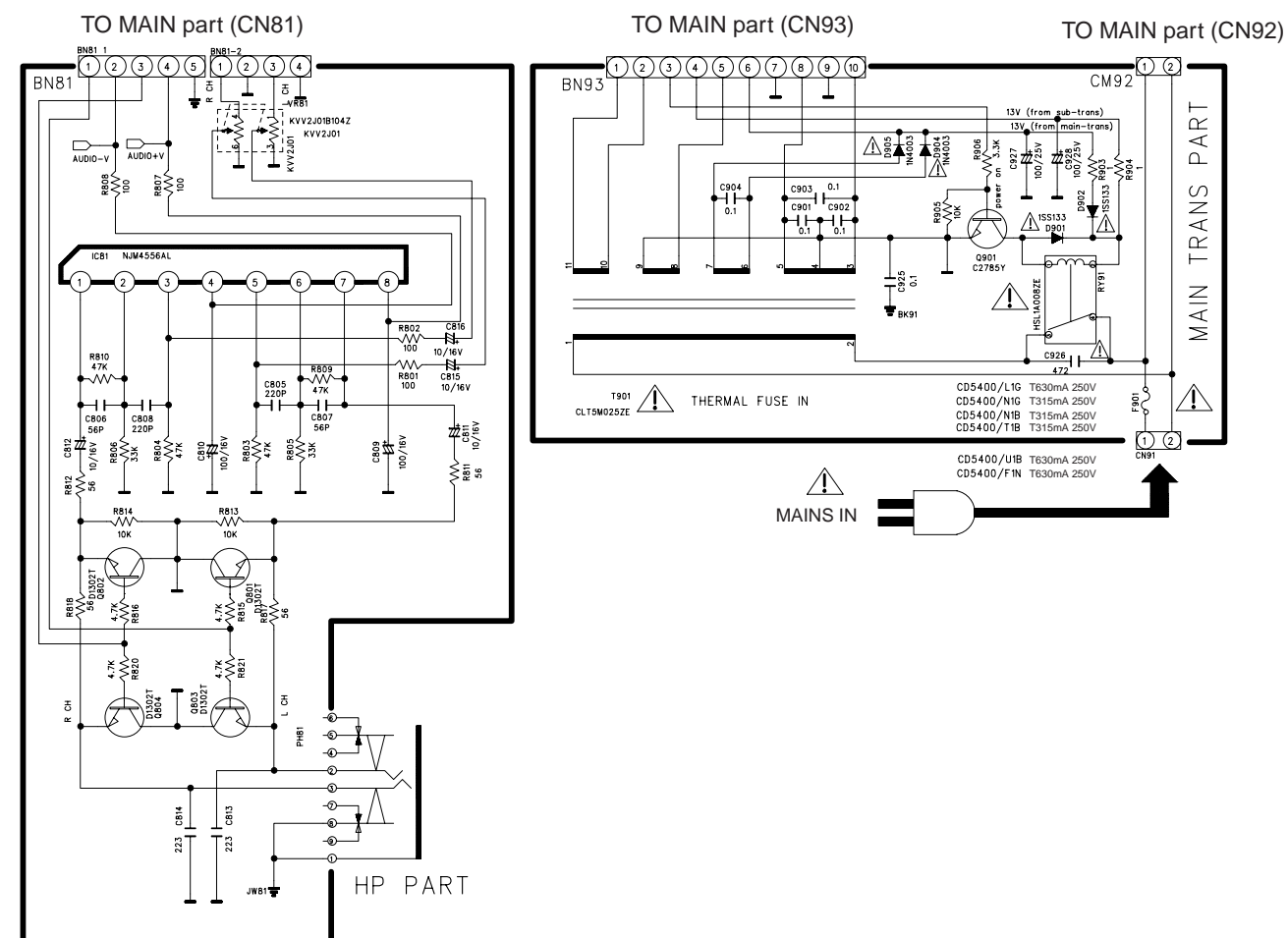
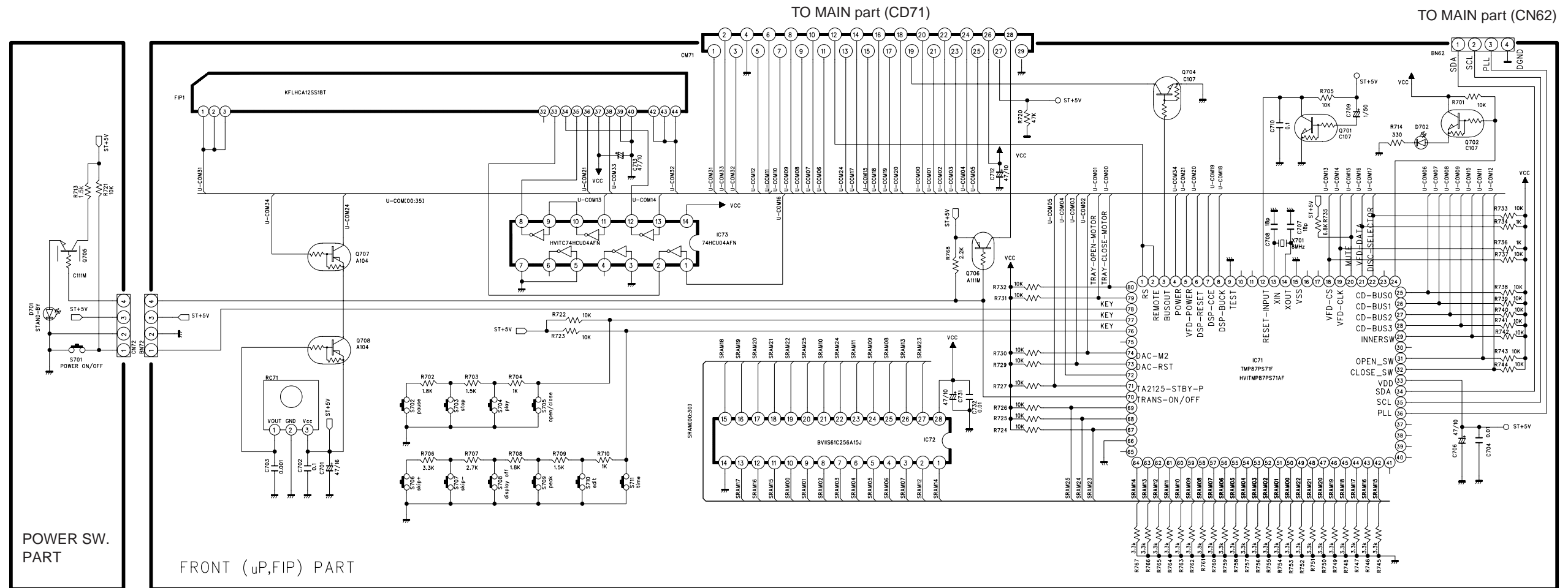


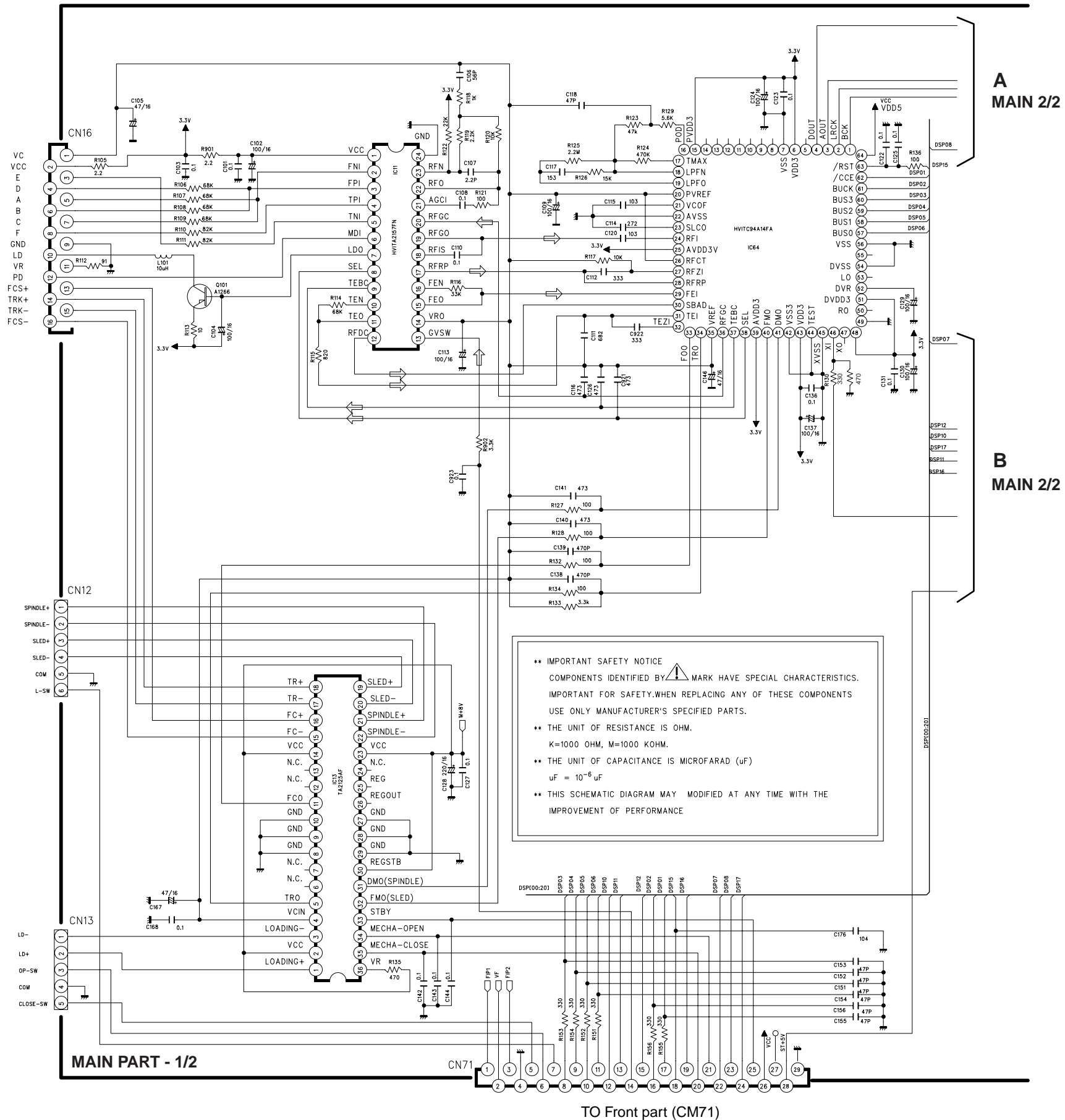
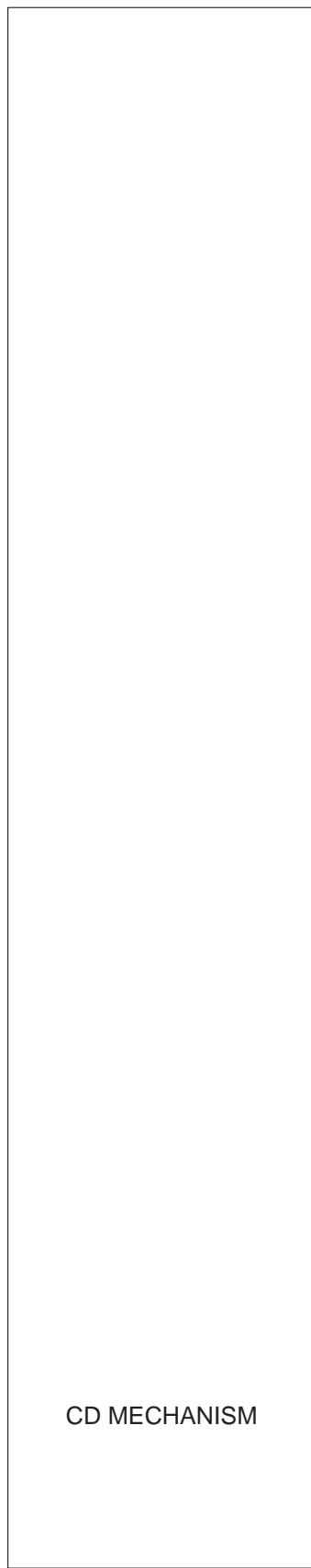
6. BLOCK DIAGRAM

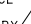




# 7. SCHEMATIC DIAGRAM





**\*\* IMPORTANT SAFETY NOTICE**  
 COMPONENTS IDENTIFIED BY  MARK HAVE SPECIAL CHARACTERISTICS. IMPORTANT FOR SAFETY. WHEN REPLACING ANY OF THESE COMPONENTS USE ONLY MANUFACTURER'S SPECIFIED PARTS.  
**\*\* THE UNIT OF RESISTANCE IS OHM.**  
 K=1000 OHM, M=1000 KOHM.  
**\*\* THE UNIT OF CAPACITANCE IS MICROFARAD (uF)**  
 uF = 10<sup>-6</sup> uF  
**\*\* THIS SCHEMATIC DIAGRAM MAY MODIFIED AT ANY TIME WITH THE IMPROVEMENT OF PERFORMANCE**

**A MAIN 2/2**

**B MAIN 2/2**

**MAIN PART - 1/2**

TO Front part (CM71)





MAIN B

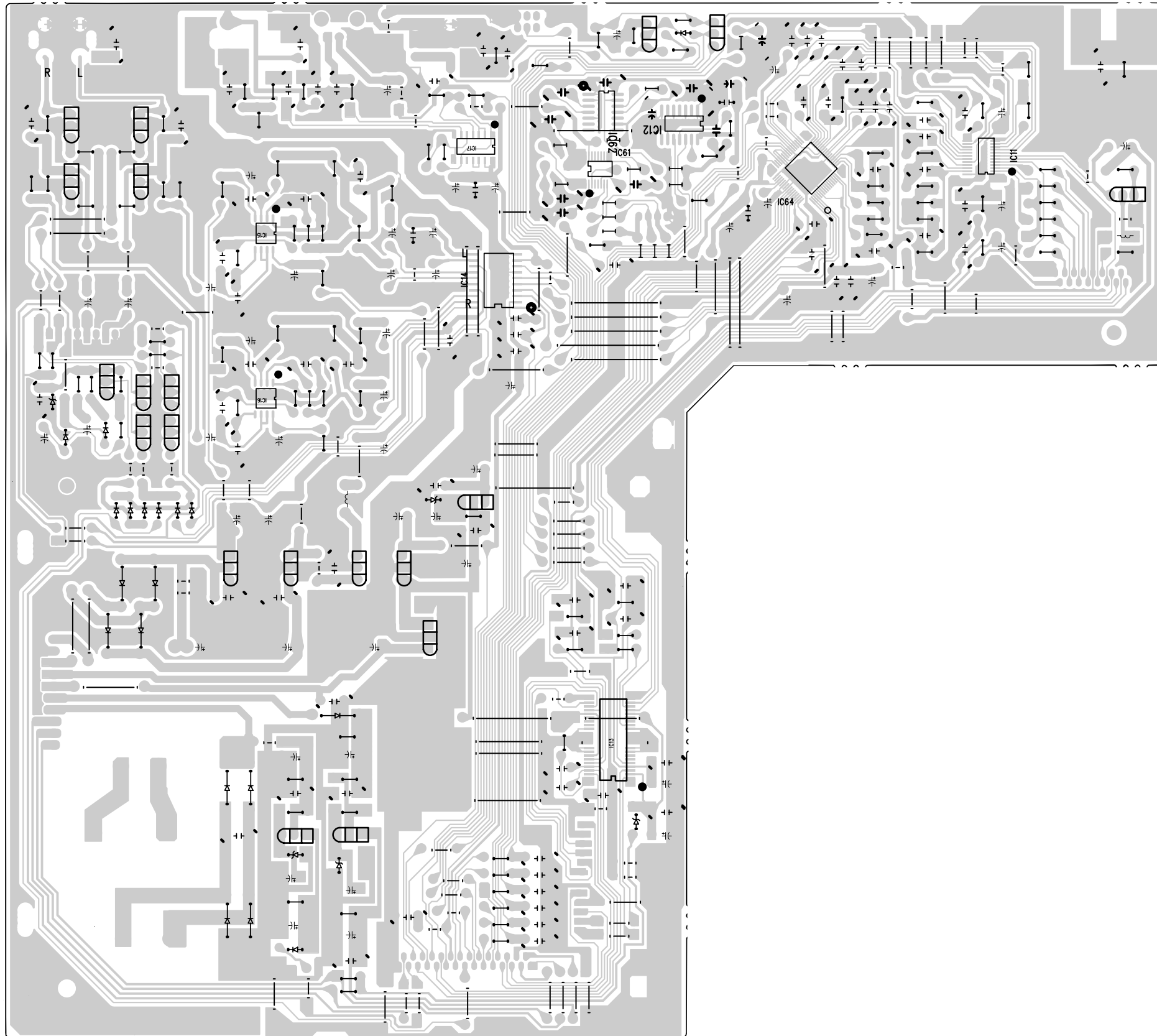
IC15  
IC16

IC17  
IC14

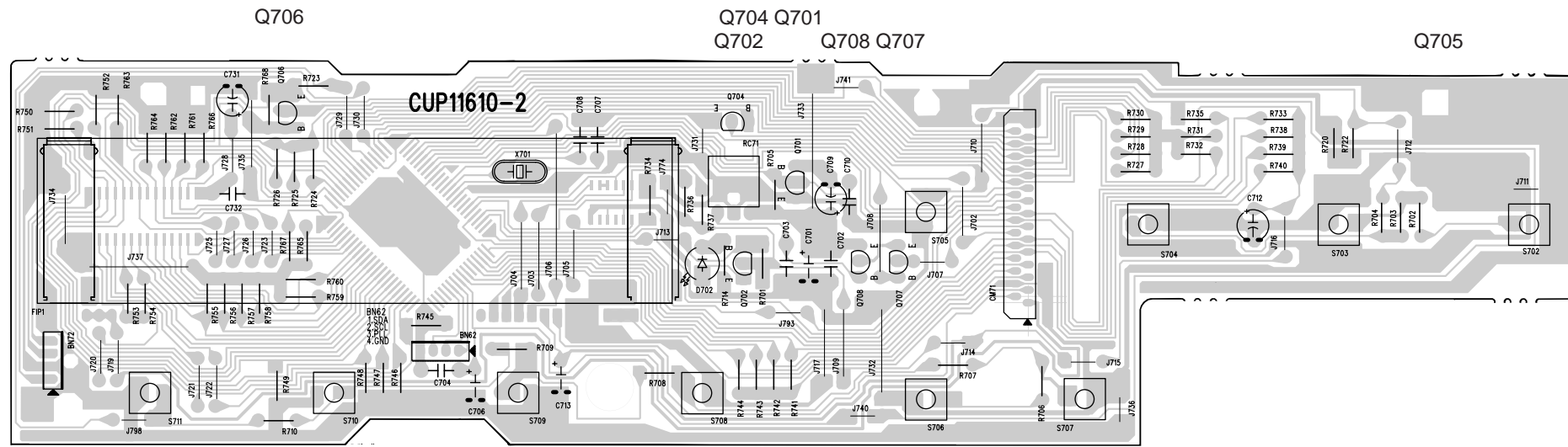
IC61 IC62 IC12  
IC13

IC64

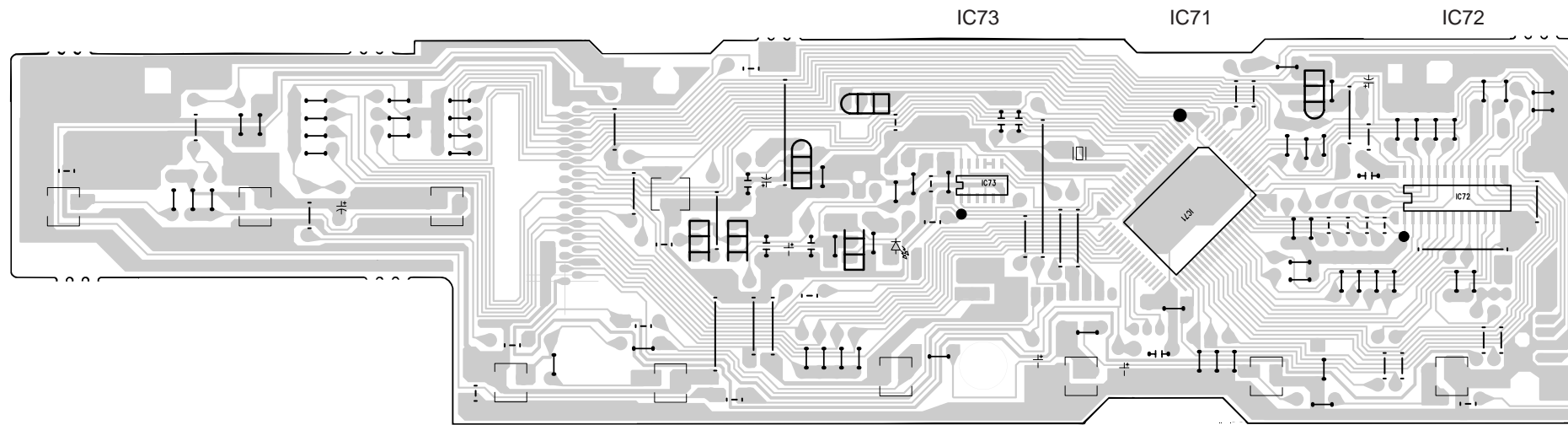
IC11



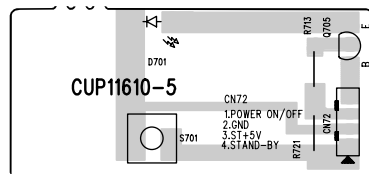
FRONT A



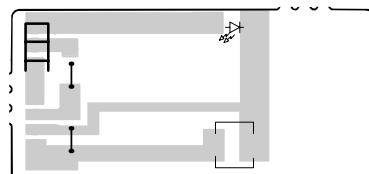
FRONT B



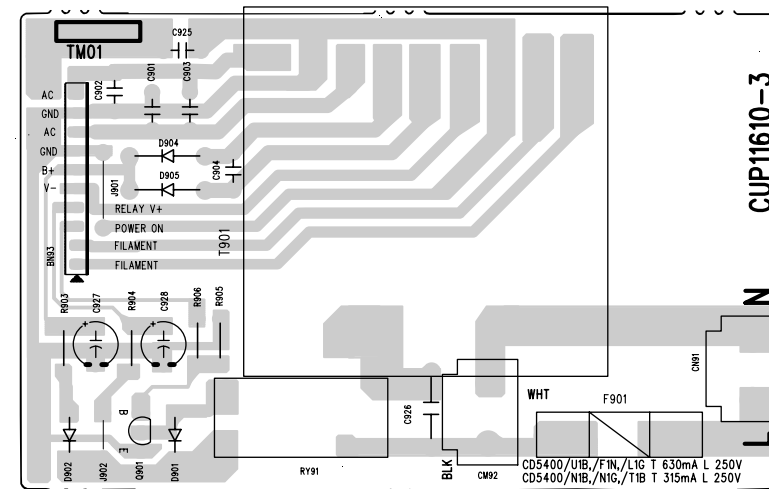
POWER SW. A



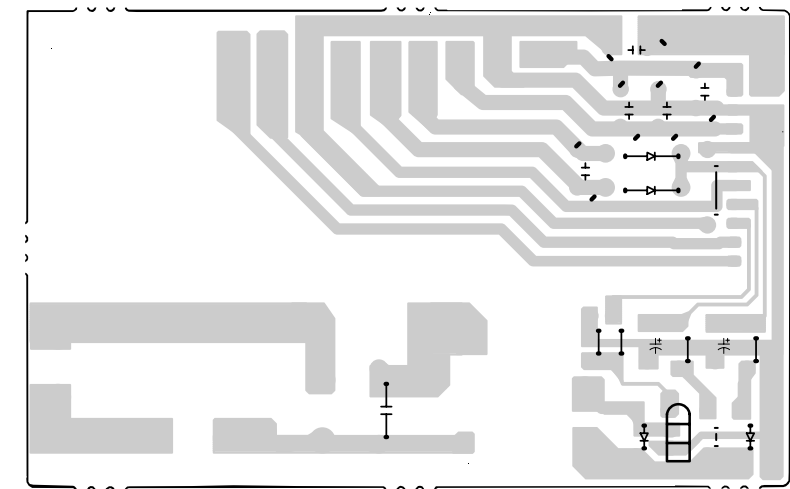
POWER SW. B



MAIN TRANS A  
Q901

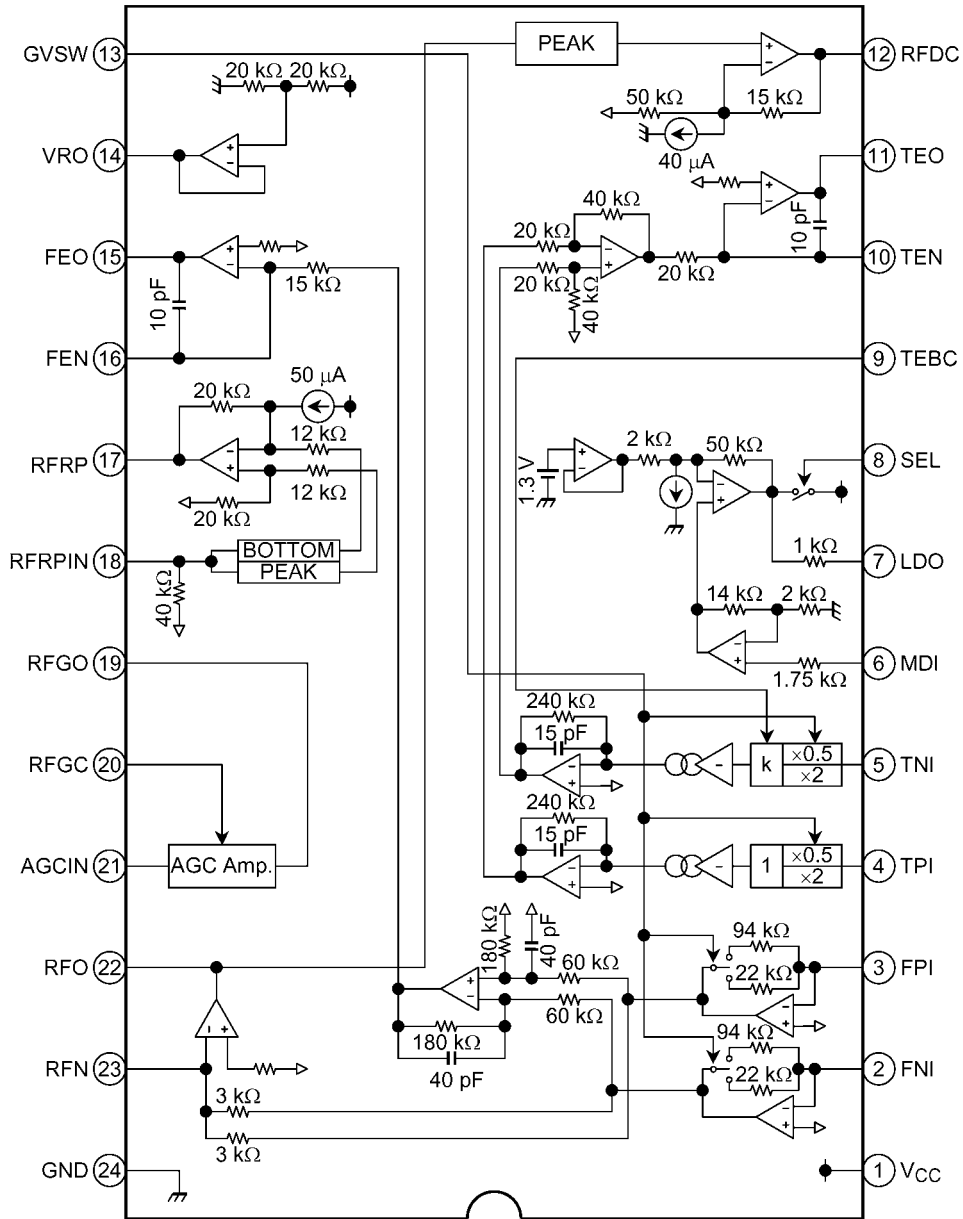


MAIN TRANS B



# 9. MICROPROCESSOR AND IC DATA

## IC11 : TA2157FN



IC11 : TA2157FN

Pin No.	Symbol	I/O	Function Description	Internal Circuit												
1	VCC	—	3.3 V power supply pin	—												
2	FNI	I	Main-beam amp input pin													
3	FPI	I	Main-beam amp input pin													
4	TPI	I	Sub-beam amp input pin													
5	TNI	I	Sub-beam amp input pin													
6	MDI	I	Monitor photo diode amp input pin													
7	LDO	O	Laser diode amp output pin													
8	SEL	I	APC circuit ON/OFF control signal, laser diode (LDO) control signal input or bottom/peak detection frequency change pin. <table border="1"> <tr> <td>SEL</td> <td>APC Circuit</td> <td>LDO</td> </tr> <tr> <td>GND</td> <td>OFF</td> <td>Connected to VCC through 1 kΩ resistor</td> </tr> <tr> <td>HIZ</td> <td>ON</td> <td>Control signal output</td> </tr> <tr> <td>VCC</td> <td>ON</td> <td>Control signal output</td> </tr> </table>	SEL	APC Circuit	LDO	GND	OFF	Connected to VCC through 1 kΩ resistor	HIZ	ON	Control signal output	VCC	ON	Control signal output	
SEL	APC Circuit	LDO														
GND	OFF	Connected to VCC through 1 kΩ resistor														
HIZ	ON	Control signal output														
VCC	ON	Control signal output														

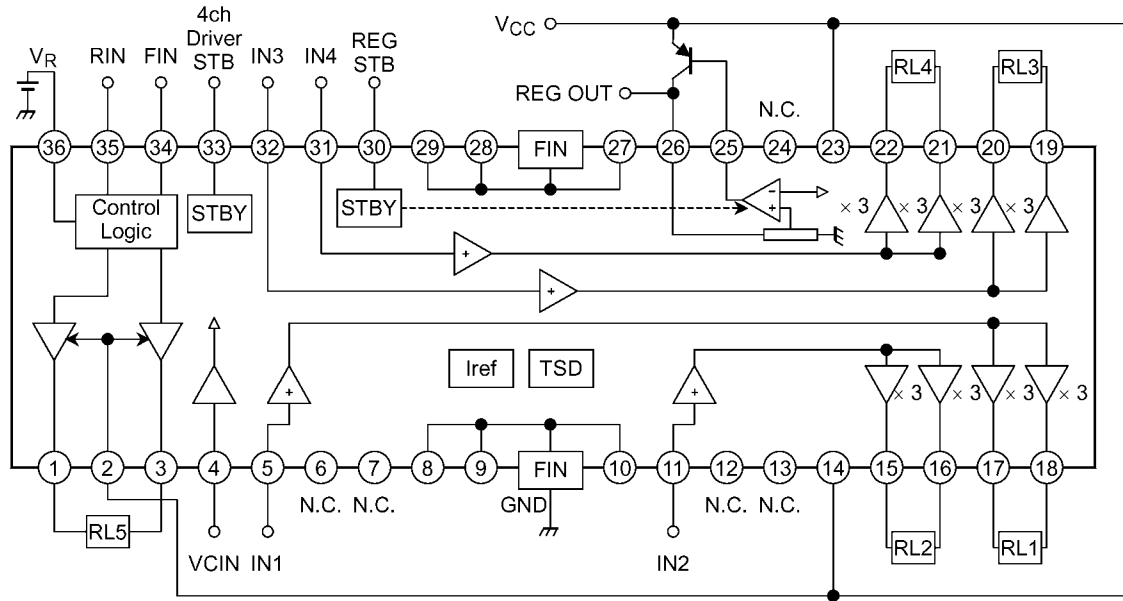
Pin No.	Symbol	I/O	Function Description	Internal Circuit								
9	TEBC	I	Tracking error balance adjustment signal input pin Adjusts TE signal balance by eliminating carrier component from PWM signal (3-state output, PWM carrier = 89.2 kHz) output from TC94A14F/FA/FB TEBC pin using RC-LPF and inputting DC. TEBC input voltage: GND-VCC									
10	TEN	I	Tracking error signal generation amp negative-phase input pin									
11	TEO	O	Tracking error signal generation amp output pin. Combining TEO signal and RFRP signal with TC94A14F/FA/FB TEO pin uses tracking search system.									
12	RFDC	O	RF signal peak detection output pin									
13	GVSW	I	AGC/FETE amp gain change pin <table border="1"> <tr> <td>GVSW</td> <td>Mode</td> </tr> <tr> <td>GND</td> <td>CD-RW</td> </tr> <tr> <td>HIZ</td> <td>Normal</td> </tr> <tr> <td>VCC</td> <td>Normal</td> </tr> </table>	GVSW	Mode	GND	CD-RW	HIZ	Normal	VCC	Normal	
GVSW	Mode											
GND	CD-RW											
HIZ	Normal											
VCC	Normal											

Pin No.	Symbol	I/O	Function Description	Internal Circuit
14	VRO	O	Reference voltage (VRO) output pin • VRO = 1/2 VCC when VCC = 3.3 V	
15	FEO	O	Focus error signal generation amp output pin	
16	FEN	I	Focus error signal generation amp negative-phase input pin	
17	RFRP	O	Signal amp output pin for track count Combining RFRP signal and TEO signal with TC94A14F/FA/FB configures tracking search system.	
18	RFRPIN	I	Signal generation amp input pin for track count	

Pin No.	Symbol	I/O	Function Description	Internal Circuit
19	RFGO	O	RF signal amplitude adjustment amp output pin	
20	RFGC	I	RF amplitude adjustment control signal input pin Adjusts RF signal amplitude by eliminating carrier component from PWM signal (3-state output, PWM carrier = 88.2 kHz) output from TC94A14F/FA/FB RFGC pin using RC-LPF and inputting DC. • RFGC input voltage: GND-VCC	
21	AGCIN	I	RF signal amplitude adjustment amp input pin	
22	RFO	O	RF signal generation amp output pin	
23	RFIN	I	RF signal generation amp input pin	
24	GND	—	GND pin	—



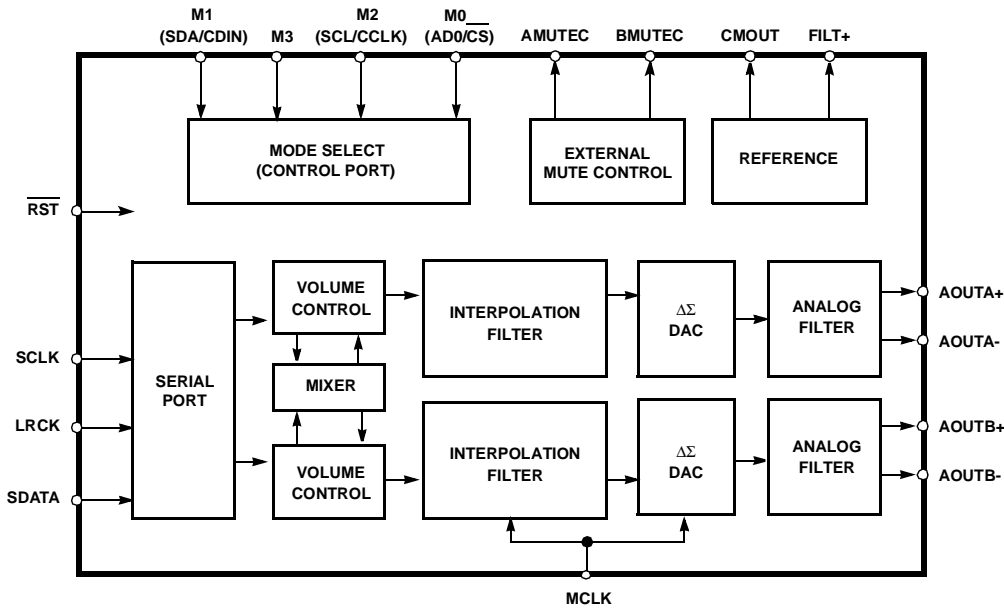
**IC13 : TA2125AF**



**IC13 : TA2125AF**

No.	Symbol	Function	
1	OUT5A	Output terminal	H-bridge
2	V <sub>M</sub>	Supply voltage terminal for Logic	H-bridge
3	OUT5B	Output terminal	H-bridge
4	V <sub>CIN</sub>	Input reference voltage	4ch BTL
5	IN1	Input for ch1	4ch BTL
6	N.C.	Open	—
7	N.C.	Open	—
8	N.C.	8, 9, 10, 27, 28, 29 are connected to PW GND (FIN)	—
9	N.C.	8, 9, 10, 27, 28, 29 are connected to PW GND (FIN)	—
10	N.C.	8, 9, 10, 27, 28, 29 are connected to PW GND (FIN)	—
11	IN2	Input for ch2	4ch BTL
12	N.C.	Open	—
13	N.C.	Open	—
14	V <sub>CC1</sub>	Supply voltage terminal for ch1/ch2	4ch BTL
15	OUT2M	Inverted output for ch2	4ch BTL
16	OUT2P	Non-inverted output for ch2	4ch BTL
17	OUT1M	Inverted output for ch1	4ch BTL
18	OUT1P	Non-inverted output for ch1	4ch BTL
19	OUT3P	Non-inverted output for ch3	4ch BTL
20	OUT3M	Inverted output for ch3	4ch BTL
21	OUT4P	Non-inverted output for ch4	4ch BTL
22	OUT4M	Inverted output for ch4	4ch BTL
23	V <sub>CC2</sub>	Supply voltage terminal for ch3/ch4	4ch BTL
24	N.C.	Open	—
25	REG	Connection with BASE of PNP Tr	Regulator
26	REG OUT	Output for regulator (5 V)	Regulator
27	N.C.	8, 9, 10, 27, 28, 29 are connected to PW GND (FIN)	—
28	N.C.	8, 9, 10, 27, 28, 29 are connected to PW GND (FIN)	—
29	N.C.	8, 9, 10, 27, 28, 29 are connected to PW GND (FIN)	—
30	REG STBY	Standby control for regulator	Regulator
31	IN4	Input for ch4	4ch BTL
32	IN3	Input for ch3	4ch BTL
33	STBY	Standby control for 4ch BTL	4ch BTL
34	FIN	Logic control input	H-bridge
35	RIN	Logic control input	H-bridge
36	VR	Supply voltage terminal for motor driver	H-bridge

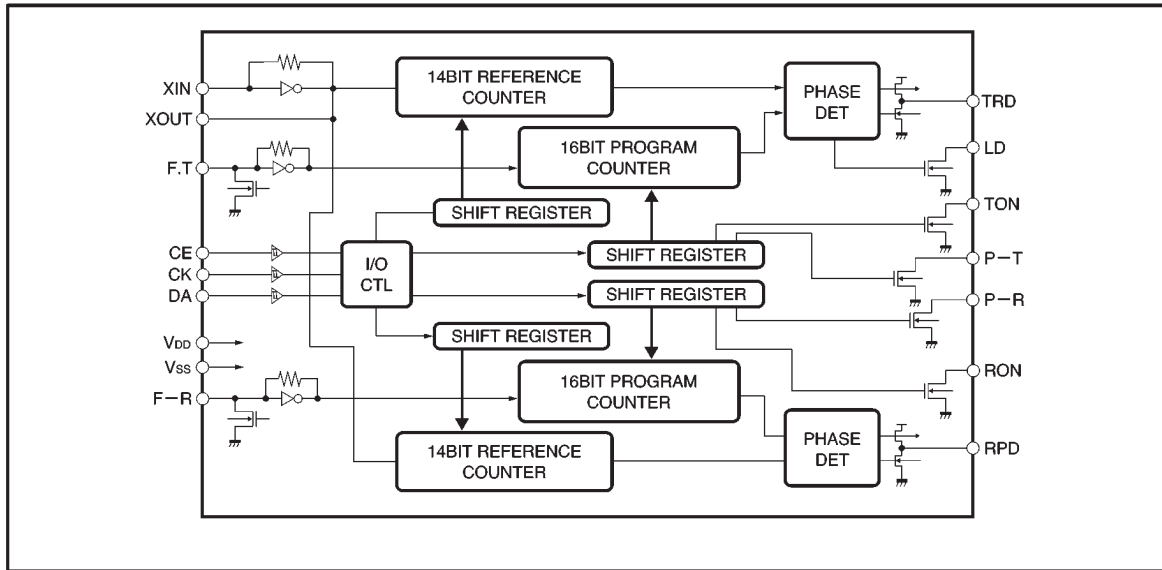
IC14 : CS4392KS



RST	1	20	AMUTE
VL	2	19	AOUTA-
SDATA	3	18	AOUTA+
SCLK	4	17	VA
LRCK	5	16	AGND
MCLK	6	15	AOUTB+
M3	7	14	AOUTB-
(SCL/CCLK) M2	8	13	BMUTE
(SDA/CDIN) M1	9	12	CMOUT
(AD0/CS) M0	10	11	FILT+

<b>RST</b>	1	<b>Reset (Input)</b> - Powers down device and resets all internal registers to their default settings.
<b>VL</b>	2	<b>Logic Power (Input)</b> - Positive power for the digital input/output.
<b>SDATA</b>	3	<b>Serial Audio Data (Input)</b> - Input for two's complement serial audio data.
<b>SCLK</b>	4	<b>Serial Clock (Input/Output)</b> - Serial clock for the serial audio interface.
<b>LRCK</b>	5	<b>Left Right Clock (Input/Output)</b> - Determines which channel, Left or Right, is currently active on the serial audio data line.
<b>MCLK</b>	6	<b>Master Clock (Input)</b> - Clock source for the delta-sigma modulator and digital filters.
<b>FILT+</b>	11	<b>Positive Voltage Reference (Output)</b> - Positive reference voltage for the internal sampling circuits.
<b>CMOUT</b>	12	<b>Common Mode Voltage (Output)</b> - Filter connection for internal quiescent voltage.
<b>AMUTE</b> <b>BMUTE</b>	20 13	<b>Mute Control (Output)</b> - The Mute Control pin goes high during power-up initialization, reset, muting, power-down or if the master clock to left/right clock frequency ratio is incorrect.
<b>AOUTB-</b> <b>AOUTB+</b> <b>AOUTA+</b> <b>AOUTA-</b>	14 15 18 19	<b>Differential Analog Output (Outputs)</b> - The full scale differential analog output level is specified in the Analog Characteristics specification table.
<b>AGND</b>	16	<b>Ground (Input)</b>
<b>VA</b>	17	<b>Analog Power (Input)</b> - Positive power for the analog section.
<b>Control Port Mode Definitions</b>		
<b>M3</b>	7	<b>Mode Selection (Input)</b> - This pins should be tied to GND level during control port mode.
<b>SCL/CCLK</b>	8	<b>Serial Control Port Clock (Input)</b> - Serial clock for the serial control port.
<b>SDA/CDIN</b>	9	<b>Serial Control Data (Input/Output)</b> - SDA is a data I/O line in I <sup>2</sup> C mode. CDIN is the input data line for the control port interface in SPI mode.
<b>AD0/CS</b>	10	<b>Address Bit 0 (I<sup>2</sup>C) / Control Port Chip Select (SPI) (Input/Output)</b> - AD0 is a chip address pin in I <sup>2</sup> C mode; CS is the chip select signal for SPI format.
<b>Stand-Alone Mode Definitions</b>		
<b>M3</b>	7	<b>Mode Selection (Input)</b> - Determines the operational mode of the device.
<b>M2</b>	8	
<b>M1</b>	9	
<b>M0</b>	10	

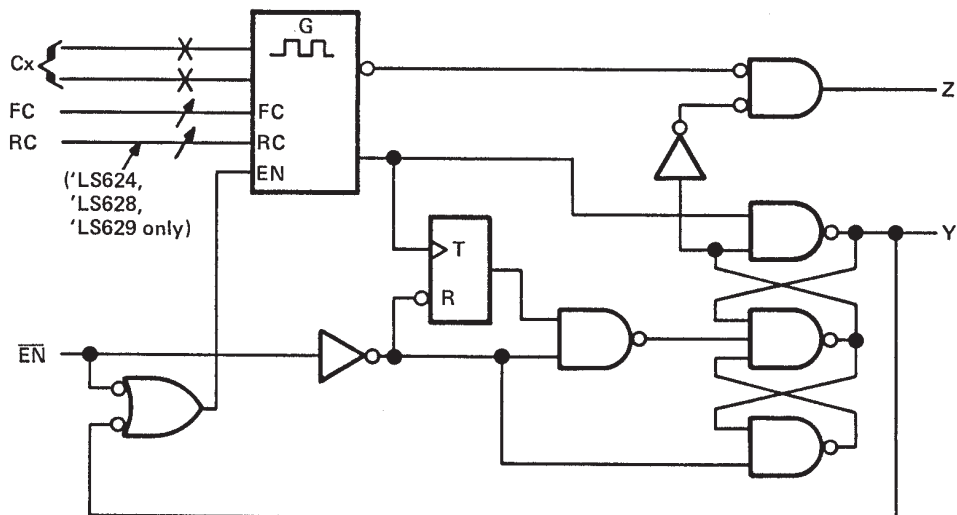
IC61 : BU2630



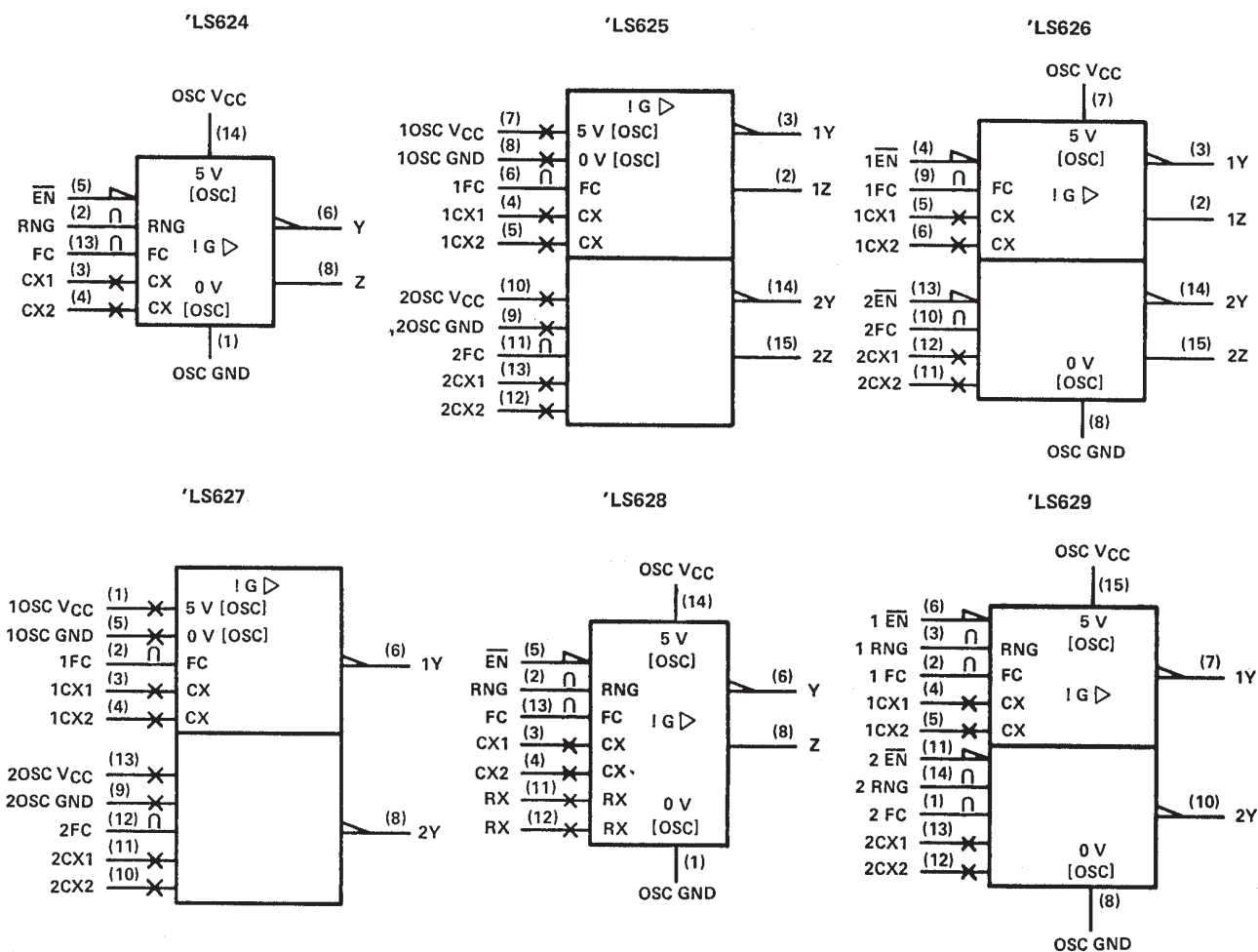
Pin No.	Pin name	Name	Function	I/O circuit
16	XOUT	Crystal resonator	For reference frequency	TYPE A
1	XIN			
2	V <sub>SS</sub>			
3	RPD	Phase comparator output	This is LO if the locally divided value is higher than the reference frequency, HI if it is lower, and Z if it matches.	TYPE E
4	P-R	Output port	This is controlled by the input data.	TYPE D
5	RON			
6	F-R	VCO input	Local input for reception	TYPE F
7	CE	Chip enable clock signal serial data	When CE is HIGH, the DA synchronized to the rise of CK is read into the internal shift register, and is latched at the timing of the CE fall.	TYPE B
8	CK			
9	DA			
10	LD	Unlock output	This goes ON when the PLL is unlocked on the transmission side	TYPE D
11	F-T	VCO input	Local input for transmission	TYPE F
12	TON	Output port	This is controlled by the input data	TYPE D
13	P-T			
14	TPD	Phase comparator output	This is LO if the locally divided value is higher than the reference frequency, HI if it is lower, and Z if it matches.	TYPE E
15	V <sub>DD</sub>	Power supply	2.5~5.5V	

IC62 : TC74LS628

logic diagram (positive logic)

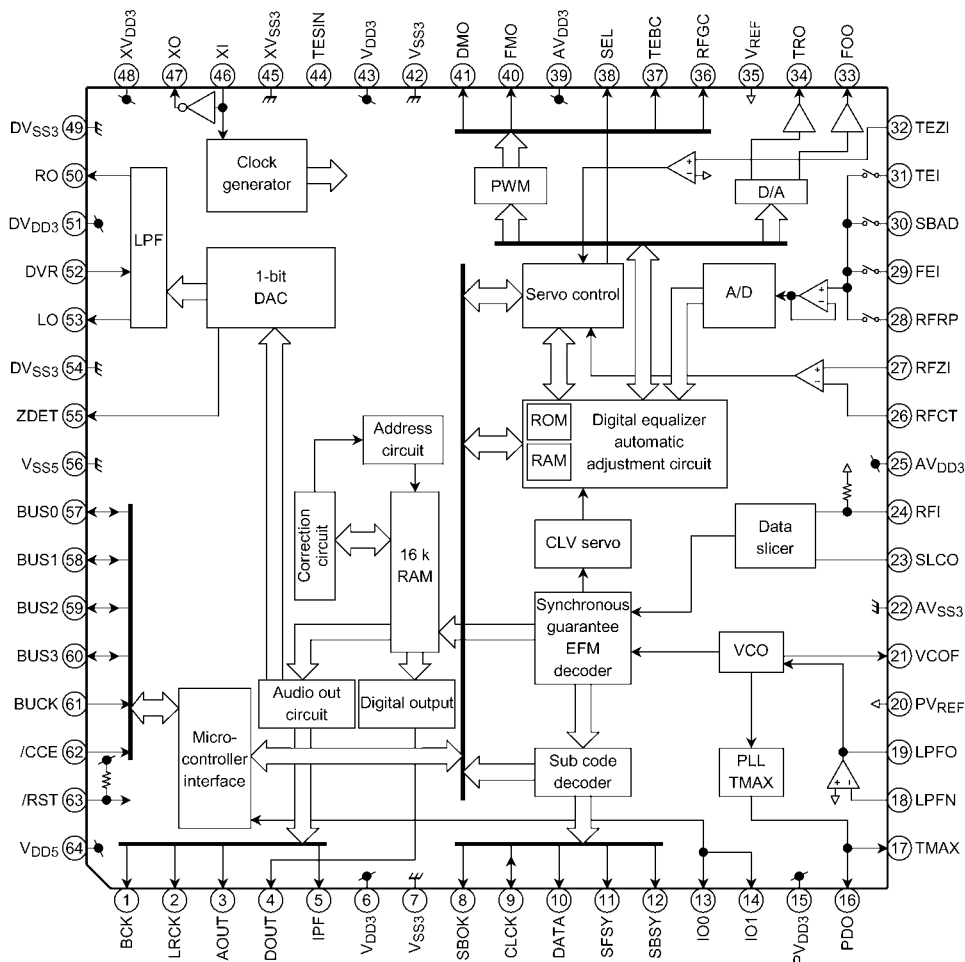


logic symbols †



†These symbols are in accordance with ANSI/IEEE Std. 91-1984 and IEC Publication 617-12. Pin numbers shown are for D, J, N, and W packages.

IC64 : TC94A14FA



Pin No.	Symbol	I/O	Function Description	Remarks								
1	BCK	O 3-5I/F	Bit clock output pin. 32fs, 48fs, or 64fs selectable by command.	Normal speed: 32fs = 1.4112 MHz								
2	LRCK	O 3-5I/F	L/R channel clock output pin. "L" for L channel and "H" for R channel. Output polarity can be inverted by command.	Normal speed: 44.1 kHz								
3	ACOUT	O 3-5I/F	Audio data output pin. MSB-first or LSB-first selectable by command.	—								
4	DOUT	O 3-5I/F	Digital data output pin. Outputs up to double-speed playback.	Based on CP-1201								
5	IPF	O 3-5I/F	Correction flag output pin. When set to "H", ADOUT output cannot be corrected by C2 correction processing.	Alias: C2PO								
6	VDD3	—	Digital 3.3 V power supply voltage pin.	—								
7	VSS3	—	Digital GND pin.	—								
8	SBOK	O 3-5I/F	Subcode Q data CRCC result output pin. "H" level when result is OK.	—								
9	CLOCK	I/O 3-5I/F	Subcode P-W data read clock I/O pin. I/O polarity selectable by command.	Schmitt input								
10	DATA	O 3-5I/F	Subcode P-W data output pin.	—								
11	SFSY	O 3-5I/F	Playback frame sync signal output pin.	—								
12	SBSY	O 3-5I/F	Subcode block sync signal output pin. "H" level at S1 when subcode sync is detected.	—								
13	IO0	I/O	General-purpose input / output pins. Input port at reset.	Schmitt at input								
14	IO1	I/O 3-5I/F										
15	PVDD3	—	PLL-only 3.3 V power supply voltage pin.	—								
16	PDO	O A/I/F	EFM and PLCK phase difference signal output pin.	4-state output (PVDD3, HI-Z, PVREF, AVSS3)								
17	TMAX	O A/I/F	TMAX detection result output pin.	3-state output (PVDD3, HI-Z, AVSS3)								
			<table border="1"> <thead> <tr> <th>TMAX Detection Result</th> <th>TMAX Output</th> </tr> </thead> <tbody> <tr> <td>Longer than fixed period</td> <td>"PVDD3"</td> </tr> <tr> <td>Within fixed period</td> <td>"HI-Z"</td> </tr> <tr> <td>Shorter than fixed period</td> <td>"AVSS3"</td> </tr> </tbody> </table>		TMAX Detection Result	TMAX Output	Longer than fixed period	"PVDD3"	Within fixed period	"HI-Z"	Shorter than fixed period	"AVSS3"
			TMAX Detection Result		TMAX Output							
			Longer than fixed period		"PVDD3"							
Within fixed period	"HI-Z"											
Shorter than fixed period	"AVSS3"											
18	LPFN	I A/I/F	Inverted input pin for PLL LPF amp.	Analog input								
19	LPFO	O A/I/F	Output pin for PLL LPF amp.	Analog output								
20	PVREF	—	PLL-only VREF pin.	—								
21	VCOF	O A/I/F	VCO filter pin.	Analog output								
22	AVSS3	—	Analog GND pin.	—								
23	SLCO	O A/I/F	DAC output pin for data slice level generation.	Analog output								
24	RFI	I A/I/F	RF signal input pin. Zin selectable by command.	Analog input								
25	AVDD3	—	Analog 3.3 V power supply voltage pin.	—								

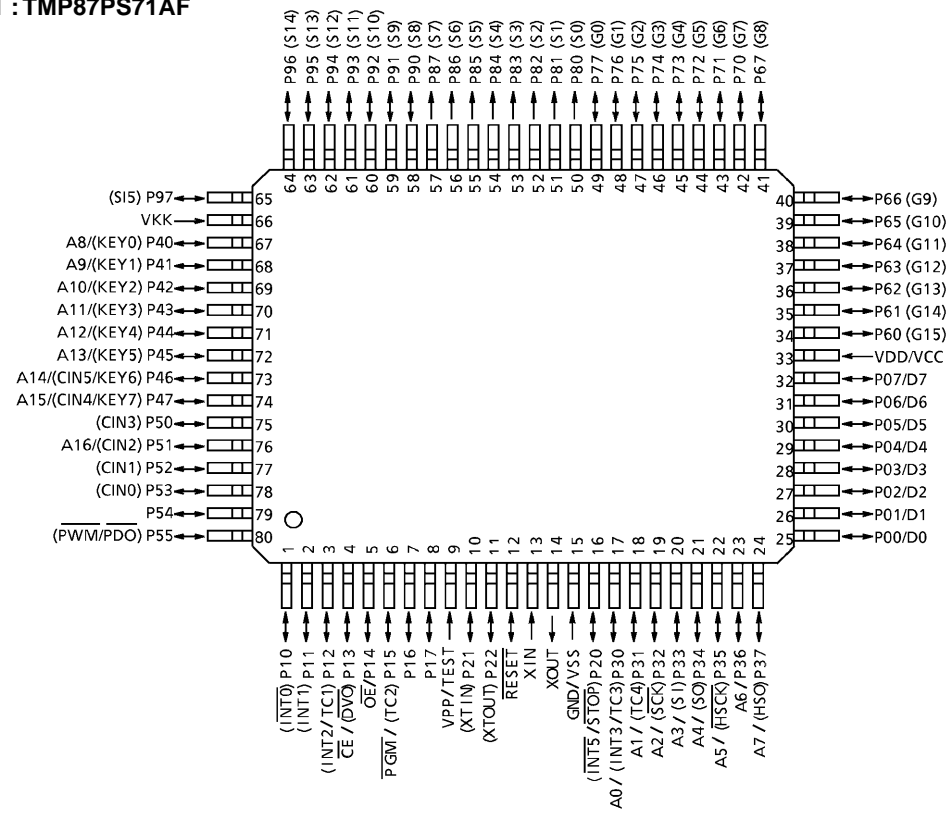
Pin No.	Symbol	I/O	Function Description	Remarks
26	RFRCT	I A/I/F	RFRP signal center level input pin.	Analog input; Zin = 33 kΩ
27	RRFZI	I A/I/F	RFRP signal zero-cross input pin.	Analog input
28	RFRP	I A/I/F	RF ripple signal input pin.	Analog input
29	FEI	I A/I/F	Focus error signal input pin.	Analog input
30	SBAD	I A/I/F	Sub-beam adder signal input pin.	Analog input
31	TEI	I A/I/F	Tracking error input pin. Inputs when tracking servo is on.	Analog input
32	TEZI	I A/I/F	Tracking error signal zero-cross input pin.	Analog input; Zin = 10 kΩ
33	FOO	O A/I/F	Focus equalizer output pin.	Analog output (AVSS3, VDD3)
34	TRO	O A/I/F	Tracking equalizer output pin.	—
35	VREF	—	Analog reference power supply voltage pin.	—
36	RFGC	O A/I/F	RF amplitude adjustment control signal output pin.	3-state output (PWM carrier = 86.2 kHz) (AVDD3, VREF, AVSS3)
37	TEBC	O A/I/F	Tracking balance control signal output pin.	—
38	SEL	O A/I/F	APC circuit ON/OFF signal output pin. At laser on, high impedance with UHS = "L", H output with UHS = "H".	3-state output
39	AVDD3	—	Analog 3.3 V power supply voltage pin.	—
40	FMO	O A/I/F	Feed equalizer output pin.	3-state output (PWM carrier = 86.2 kHz) (AVDD3, VREF, AVSS3)
41	DMO	O A/I/F	Disc equalizer output pin.	—
42	VSS3	—	Digital GND pin.	—
43	VDD3	—	Digital 3.3 V power supply voltage pin.	—
44	TESIN	I 3I/F	Test input pin. Normally, fixed to "L".	—
45	XVSS3	—	System clock oscillator GND pin.	—
46	XI	I A/I/F	System clock oscillator input pin.	—
47	XO	O A/I/F	System clock oscillator output pin.	—
48	XVDD3	—	System clock oscillator 3.3 V power supply voltage pin.	—
49	DVSS3	—	DA converter GND pin.	—
50	RO	O A/I/F	R-channel data forward output pin.	—
51	DVDD3	—	DA converter 3.3 V power supply pin.	—
52	DVR	—	Reference voltage pin.	—
53	LO	O A/I/F	L-channel data forward output pin.	—
54	DVSS3	—	DA converter GND pin.	—

## IC64 : TC94A14FA

Pin No.	Symbol	I/O	Function Description	Remarks
55	ZDET	O 3-5/F	1 bit DA converter zero data detection flag output pin.	—
56	VSS5	—	Microcontroller interface GND pin.	—
57	BUS0	I/O 3-5/F	Microcontroller interface data I/O pins.	Schmitt input CMOS ports
58	BUS1			
59	BUS2			
60	BUS3			
61	BUCK	I 3-5/F	Microcontroller interface clock input pin.	Schmitt input
62	/CCE	I 3-5/F	Microcontroller interface chip enable signal input pin. At "L", BUS0 to BUS3 are active.	Schmitt input
63	/RST	I 3-5/F	Reset signal input pin. At reset, "L".	Built-in pull-up resistor
64	VDD5	—	Microcontroller interface 5 V power supply pin.	—

Note: A/I/F: analog input/output pin  
 3-5/F: 3-5 interface built-in pin (5 V input/output pin)  
 3/F: 3 V input/output pin

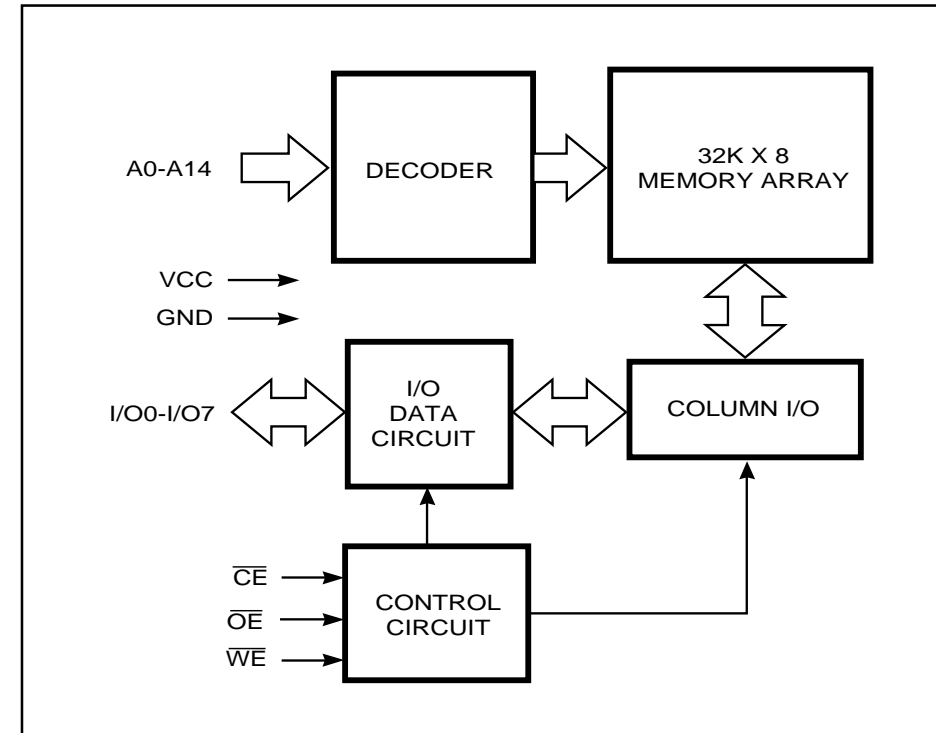
IC71 : TMP87PS71AF



PIN No.	SYMBOL	I/O	FUNCTION DESCRIPTION
1	RS	I	REMOCON OUT
2	REMOTE	I	REMOCON SENSOR CONTROL
3	BUS OUT	O	GND
4	POWER	O	POWER CONTROL PORT
5	VFD-POWER	O	VFD POWER CONTROL PORT
6	DSP-RESET	O	DSP RESET CONTROL PORT
7	DSP-CCE	O	DSP CCE CONTROL PORT
8	DSP-BUCK	O	DSP BUCK CONTROL PORT
9	TEST	-	GND
12	RESET-INPUT	-	RESET INPUT PORT
13	XIN	-	8MHz Crystal CONNECTION PORT
14	XOUT	-	
15	VSS	-	GND
18	VFD-CS	O	VFD CS CONTROL PORT
19	VFD-CLK	O	VFD CLK CONTROL PORT
20	MUTE	O	MUTE
21	VFD-DATA	O	VFD DATA PORT
22	DISC-SELECTOR	O	GVSW
24	VCC	O	VCC
25	CD-BUS0	I/O	BUS CONTROL PORT
26	CD-BUS1	I/O	
27	CD-BUS2	I/O	
28	CD-BUS3	I/O	
29	INNERSW	I	L-SWITCH
31	OPEN_SW	I	OPEN SWITCH
32	CLOSE_SW	I	CLOSE SWITCH
33	VDD	-	ST+5V
34	SDA	-	SDA
35	SCL	-	SCL
36	PLL	-	PLL
42	SRAM15	I/O	SRAM CONTROL PORT
43	SRAM16	I/O	
44	SRAM17	I/O	
45	SRAM18	I/O	
46	SRAM19	I/O	

PIN No.	SYMBOL	I/O	FUNCTION DESCRIPTION
47	SRAM20	I/O	SRAM CONTROL PORT
48	SRAM21	I/O	
49	SRAM22	I/O	
50	SRAM00	O	
51	SRAM01	O	
52	SRAM02	O	
53	SRAM03	O	
54	SRAM04	O	
55	SRAM05	O	
56	SRAM06	O	
57	SRAM07	O	
58	SRAM08	O	
59	SRAM09	O	
60	SRAM10	O	
61	SRAM11	O	
62	SRAM12	O	
63	SRAM13	O	
64	SRAM14	O	
66	GND	-	GND
67	SRAM23	O	SRAM CONTROL PORT
68	SRAM24	O	
69	SRAM25	O	
70	TRANS-ON/OFF	O	TRANS ON/OFF CONTROL PORT
71	TA2125-STBY-P	O	STAND BY PORT
72	RC-5 SELECTION	I	RC-5 SELECTION
73	DAC-RST	O	DAC RESET PORT
74	DAC-M2	O	DAC M2 PORT
76	KEY	I	ST+5V
77	KEY	I	ST+5V
78	KEY	I	BN72
79	TRAY-OPEN-MOTOR	O	MECHA OPEN CONTROL PORT
80	TRAY-CLOSE-MOTOR	O	MECHA CLOSE CONTROL PORT

IC72 : IS61C256AH



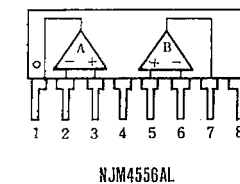
PIN DESCRIPTIONS

A0-A14	Address Inputs
CE	Chip Enable Input
OE	Output Enable Input
WE	Write Enable Input
I/O0-I/O7	Bidirectional Ports
Vcc	Power
GND	Ground

TRUTH TABLE

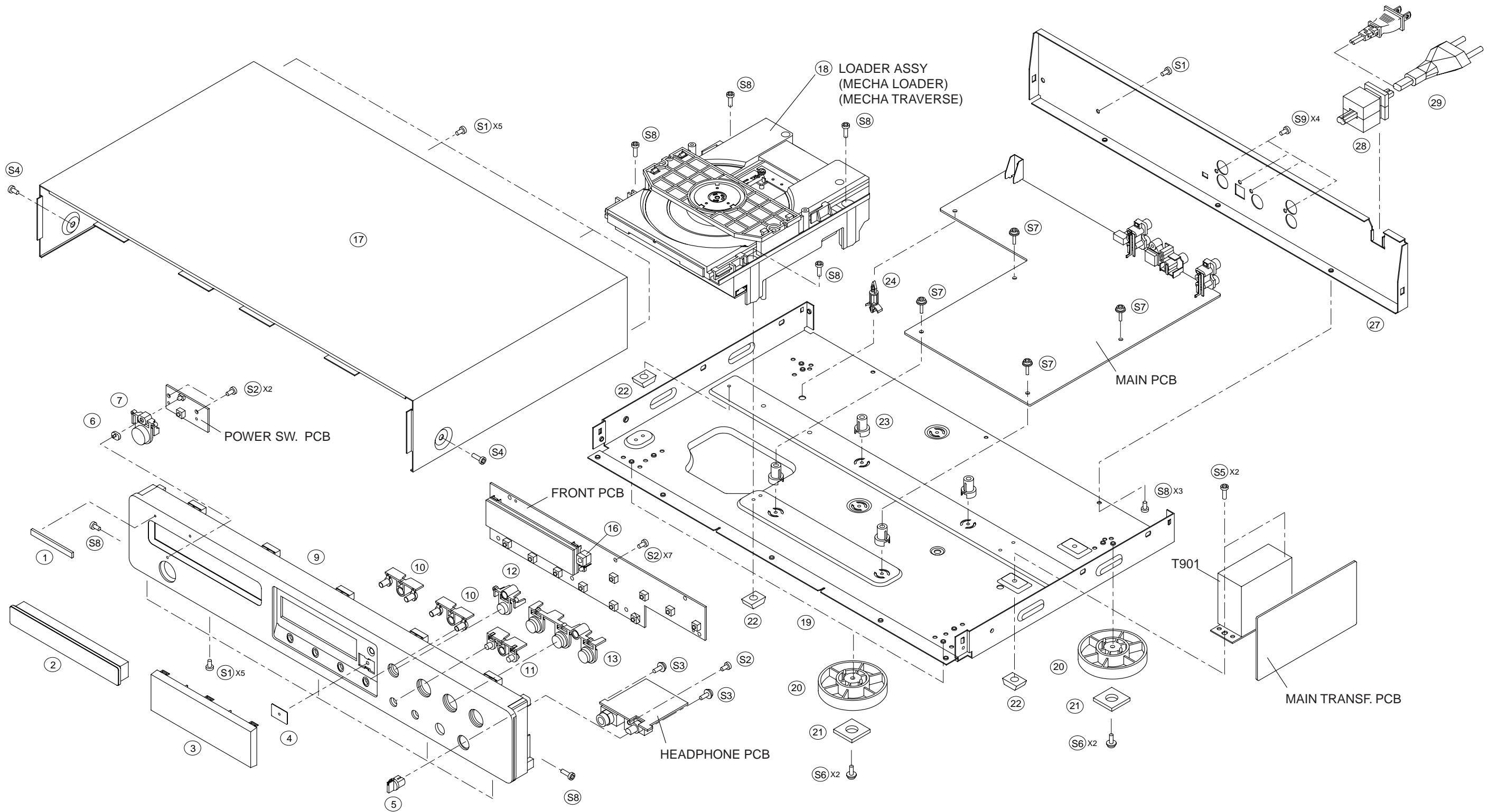
Mode	WE	CE	OE	I/O Operation	Vcc Current
Not Selected (Power-down)	X	H	X	High-Z	Isb1, Isb2
Output Disabled	H	L	H	High-Z	Icc
Read	H	L	L	DOUT	Icc
Write	L	L	X	DIN	Icc

IC81 : NJM4556AL



- PIN FUNCTION
1. A OUTPUT
  2. A-INPUT
  3. A+INPUT
  4. V-
  5. B+INPUT
  6. B-INPUT
  7. B OUTPUT
  8. V+

10. EXPLODED VIEW AND PARTS LIST





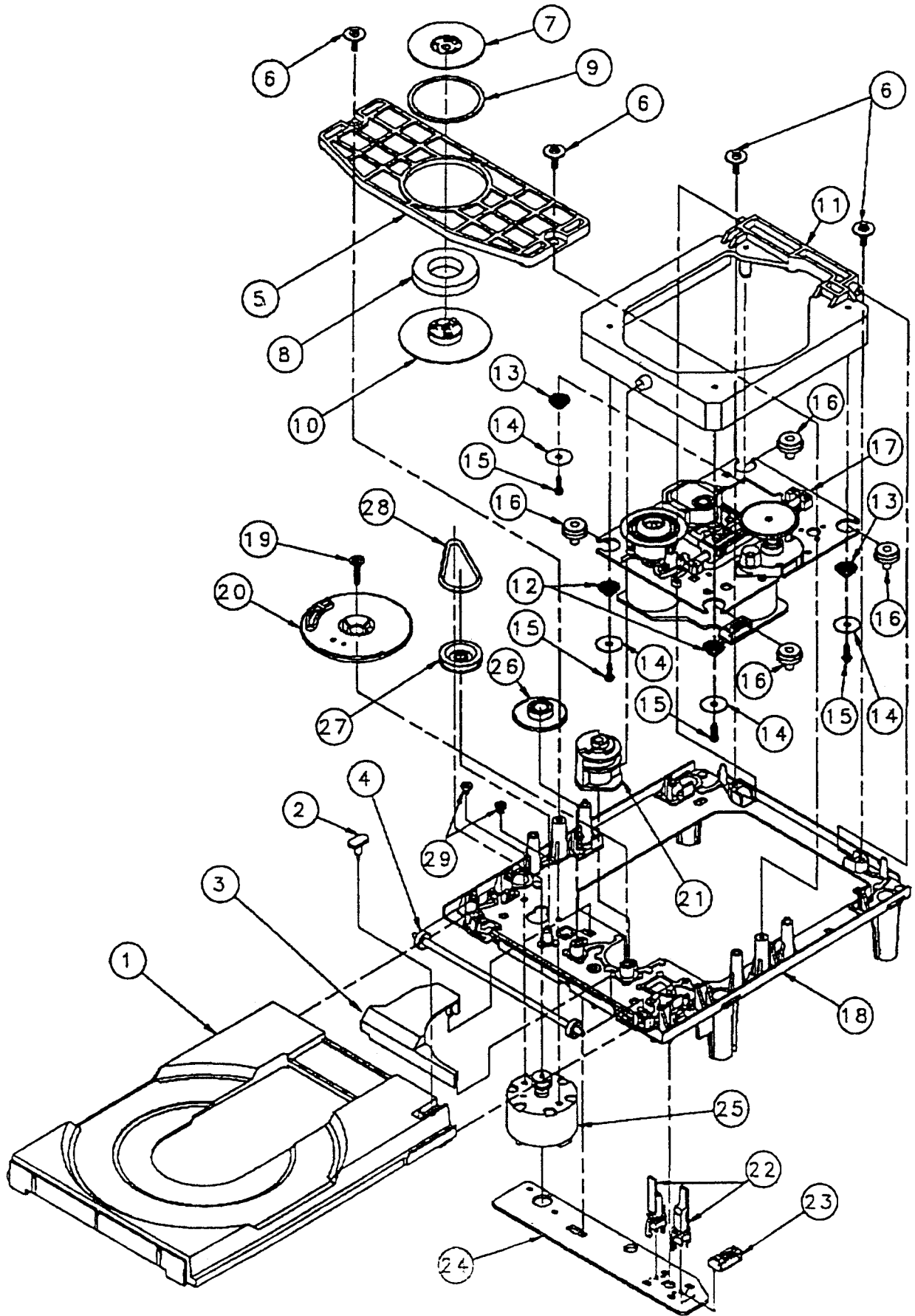
POS. NO	VERS. COLOR	PART NO. (FOR EUR)	PART NO. (MJ)	DESCRIPTION		
1		24AW251010	24AW251010	BADGE, MARANTZ		CGB1A117
2	BLACK	24AW063010	24AW063010	ORNAMENT, DOOR		CGR1A298ZH10
2	GOLD	24AW063110	24AW063110	ORNAMENT, DOOR		CGR1A298RFYH40
3		24AW158010	24AW158010	WINDOW		CGU1A307Z
4		nsp	nsp	SHEET, LED	AG-D8900	KGX1A293Z
5	BLACK	24AW154010	24AW154010	KNOB, LEVEL		CBN1A170
5	GOLD	24AW154110	24AW154110	KNOB, LEVEL		CBN1A170RFD4
6				INDICATOR, STANDBY		CGL1A183
7	BLACK	24AW270010	24AW270010	KNOB, POWER		CBT1A878
7	GOLD	24AW270110	24AW270110	KNOB, POWER		CBT1A878RFD4
8						
9	BLACK	24AW248010	24AW248010	PANEL, FRONT		CGW1A359ZH10
9	GOLD	24AW248110	24AW248110	PANEL, FRONT		CGW1A359RFYH40
10	BLACK	24AW270050	24AW270050	KNOB, DISPLAY		CBT1A879
10	GOLD	24AW270150	24AW270150	KNOB, DISPLAY		CBT1A879RFD4
11	BLACK	24AW270040	24AW270040	KNOB, SKIP		CBT1A881
11	GOLD	24AW270140	24AW270140	KNOB, SKIP		CBT1A881RFD4
12	BLACK	24AW270030	24AW270030	KNOB, OPEN		CBT1A880
12	GOLD	24AW270130	24AW270130	KNOB, OPEN		CBT1A880RFD4
13	BLACK	24AW270020	24AW270020	KNOB, PLAY		CBT1A882
13	GOLD	24AW270120	24AW270120	KNOB, PLAY		CBT1A882RFD4
14						
15						
16		nsp	nsp	BUFFER, IR UPPER PCB		CHG1A185
18		24AW304510	24AW304510	MECHANISM	LOADER ASSY	HJDKSL2130CCM
19		nsp	nsp	CHASSIS, BOTTOM		CUA1A231
20		nsp	nsp	FOOT, FRONT		CKL2A042H11
21		nsp	nsp	RUBBER, CUSHION		KHG1A050
22		nsp	nsp	RUBBER		CHG1A113
23		nsp	nsp	HOLDER, PCB		CHE1A030
24		nsp	nsp	SUPPRT, PCB	SJSS-13N(T)	KRE1A057
25						
26						
27	/F1N	nsp	nsp	PANEL, REAR	F1N	CKF1A258W
27	/N1B	nsp	nsp	PANEL, REAR	N1B	
27	/N1G	nsp	nsp	PANEL, REAR	N1G	CKF1A258Y
27	/T1B	nsp	nsp	PANEL, REAR	T1B	CKF1A258V
27	/U1B	nsp	nsp	PANEL, REAR	U1B	CKF1A258X
28		24AW259020	24AW259020	BUSHING , AC CORD		KHR1A028
▲	29/F1N	nsp	*YC000750R	CORD, POWER		CJA2J049ZA
▲	29/N	*YC000760R	*YC000760R	CORD, POWER(EUR)	QDR-7100CC	CJA2B043ZA
▲	29/T1B	*YC000770R	*YC000770R	CORD, POWER		CJA2E045ZA
▲	29/U1B	nsp	*YC000780R	CORD, POWER		CJA523FBYA
S1		nsp	nsp	SCREW		CTB3+8J
S2		nsp	nsp	SCREW		CTB3+10G
S3		nsp	nsp	SCREW		CTW3+10G
S4		nsp	nsp	SCREW		CTB4+6FFB
S5		nsp	nsp	SCREW	COPPER PLATING	CTB3+8JFB
S5		nsp	nsp	SCREW	COPPER PLATING	CTB3+8JFB
S6		nsp	nsp	SCREW		CTW3+8J
S7		nsp	nsp	SCREW		CTW3+20J
S8		nsp	nsp	SCREW		CTB3+6J
S8		nsp	nsp	SCREW		CTB3+6J
S9		nsp	nsp	SCREW	COPPER PLATING	CTB3+10GFB
S10		nsp	nsp	SCREW		CTB4+6F
				<b>WIRE</b>		
		nsp	*YU001220R	CARD CABLE 29P FRONT - MAIN PCB		CWC1B2A29A180B6
		nsp	*YU001230R	CARD CABLE 16P MECHA TRAVERSE - MAIN PCB		CWC1B2A16A120B
		nsp	nsp	WIRE ASS'Y	CD5400	CWB1B905090EG
		nsp	nsp	WIRE ASS'Y	CD5400	CWB1A906090EG
				<b>PACKING</b>		
	/F1N	nsp	24AW851110	USER GUIDE FOR /F	JAPAN	CQX1A836Z
	/N/T1B	24AW851310	24AW851310	USER GUIDE FOR /N /T	EUROPE	CQX1A834Z
	/U1B	nsp	24AW851250	USER GUIDE FOR /U	USA	CQX1A835Z
		ZK24AW0010	ZK24AW0010	REMOTE CONTROLLER RC5400CD		HARTCD5400CC

NOTE : \*nsp\* PART IS LISTED FOR REFERENCE ONLY, MARANTZ WILL NOT SUPPLY THESE PARTS.

POS. NO	VERS. COLOR	PART NO. (FOR EUR)	PART NO. (MJI)	DESCRIPTION
				<b>NOT STANDARD SPARE PARTS</b>
17	BLACK	nsp	24AW257010	CABINET, TOP CKC1A140K117
17	GOLD	nsp	24AW257110	CABINET, TOP CKC1A140K118
		nsp	24AW801010	BOX, OUT CARTON CPG1A725Z
		nsp	nsp	CORD, PIN CJS4N014Z
		nsp	nsp	CORD, PIN BLACK (1M) CJS4M027Z
		nsp	24AW809010	PAD, SNOW CPS1A624
				<b>CD MECHANISM (LOADER ASS'Y)</b>
1		24AW163010	24AW163010	TRAY (C) 9A07979600
2		nsp	nsp	
3		nsp	nsp	GEAR COVER (S) 9A07979700
4		24AW058010	24AW058010	TRAY GEAR (S) 9A07268500
5		24AW104010	24AW104010	CHUCKING PLATE 9A07268900
6		nsp	nsp	SCREW +PTPWH 2.6X7 9A07269900
7		nsp	nsp	YOKE (S) , CHUCKING 9A06965300
8		nsp	nsp	MAGNET 9A06965400
9		24AW056010	24AW056010	DAMPER 9A07268700
10		24AW005010	24AW005010	CHUCKING PULLEY 9A07979800
11		nsp	nsp	SUB CHASSIS 2130 9A07979900
12		nsp	nsp	COIL SPRING (FRONT) 9A07980000
13		nsp	nsp	COIL SPRING (BACK) 9A07980100
14		nsp	nsp	WASHER 2130 9A07980200
15		nsp	nsp	SCREW+P2.6X10 9A07980300
16		24AW259010	24AW259010	INSULATOR 9A07980400
17		24AW304010	24AW304010	MD ASS'Y (KSS-213CCM) MECHA TRAVERSE 9A07980500
18		nsp	nsp	OUTSERT MAIN CHASSIS(S) 9A07980600
19		nsp	nsp	SCREW+PTPWH2.6X16 9A06966200
20		24AW058020	24AW058020	DRIVE GEAR (S) 9A07980700
21		24AW054010	24AW054010	CONTROL CAM (S) 9A07269000
22		24AW116010	24AW116010	LEAF SW 9A07268000
23		nsp	nsp	PIN, CONNECTOR 5P 9A06966600
24		nsp	nsp	PC BOARD, LOADING 9A06966700
25		24AW127010	24AW127010	MOTOR ASSY LOADING 9A06966800
26		24AW058030	24AW058030	MIDWAY GEAR (S) 9A07980800
27		24AW262010	24AW262010	LOADING PULLEY 9A07268600
28		24AW264010	24AW264010	LM BELT 9A07980900
29		nsp	nsp	SCREW+B2.6X2.5 9A06967200

NOTE : "nsp" PART IS LISTED FOR REFERENCE ONLY, MARANTZ WILL NOT SUPPLY THESE PARTS.

# CD MECHANISM (LOADER ASS'Y)





POS. NO	VERS. COLOR	PART NO. (FOR EUR)	PART NO. (MJ)	DESCRIPTION	
BK11		nsp	nsp	BRACKET , PCB	CMD1A387
BK91		nsp	nsp	BRACKET , PCB	CMD1A387
BN62		nsp	nsp	WIRE ASS'Y	CWB1B904300EN
BN72		nsp	nsp	WIRE ASS'Y	CWB1B904110EN
BN81		nsp	nsp	WIRE ASS'Y	CWBCD5400BN81
BN92		nsp	nsp	WIRE ASS'Y	WIRE ASS'Y CWB4D932180UZ
BN93		nsp	nsp	WIRE ASS'Y	CWB1C910160DM
C100		nsp	nsp	CAP , CERAMIC	0.1µF 50V ZF CCKT1H104ZF
C101		nsp	nsp	CAP , CERAMIC	0.1µF 50V ZF CCKT1H104ZF
C102		nsp	OA10701620	CAP , ELECT	100µF 16V HCEA1CH101T
C103		nsp	nsp	CAP , CERAMIC	0.1µF 50V ZF CCKT1H104ZF
C104		nsp	OA10701620	CAP , ELECT	100µF 16V HCEA1CH101T
C106		nsp	nsp	CAP , CERAMIC	56pF 50V JC CCCT1H560JC
C107		nsp	nsp	CAP , CERAMIC	3pF 50V CC CCCT1H030CC
C108		nsp	nsp	CAP , CERAMIC	0.1µF 50V ZF CCKT1H104ZF
C110		nsp	nsp	CAP , CERAMIC	0.1µF 50V ZF CCKT1H104ZF
C111		nsp	nsp	CAP , CERAMIC	6800pF 50V KB CCKT1H682KB
C112		nsp	nsp	CAP , CERAMIC	0.033µF 50V ZF CCKT1H333ZF
C113		nsp	OA10701620	CAP , ELECT	100µF 16V HCEA1CH101T
C114		nsp	nsp	CAP , CERAMIC	2700pF 50V KB CCKT1H272KB
C115		nsp	nsp	CAP , CERAMIC	0.01µF 50V ZF CCKT1H103ZF
C116		nsp	nsp	CAP , CERAMIC	0.047µF 50V ZF CCKT1H473ZF
C117		nsp	nsp	CAP , CERAMIC	0.015µF 50V ZF CCKT1H153ZF
C118		nsp	nsp	CAP , CERAMIC	47pF 50V JC CCCT1H470JC
C120		nsp	nsp	CAP , CERAMIC	0.01µF 50V ZF CCKT1H103ZF
C123		nsp	nsp	CAP , CERAMIC	0.1µF 50V ZF CCKT1H104ZF
C124		nsp	OA10701620	CAP , ELECT	100µF 16V HCEA1CH101T
C125		nsp	nsp	CAP , CERAMIC	0.1µF 50V ZF CCKT1H104ZF
C126		nsp	nsp	CAP , CERAMIC	0.047µF 50V ZF CCKT1H473ZF
C127		nsp	nsp	CAP , CERAMIC	0.1µF 50V ZF CCKT1H104ZF
C128		nsp	OA22701620	CAP , ELECT	220µF 16V HCEA1CH221T
C129		nsp	OA10701620	CAP , ELECT	100µF 16V HCEA1CH101T
C130		nsp	OA10701620	CAP , ELECT	100µF 16V HCEA1CH101T
C131		nsp	nsp	CAP , CERAMIC	0.1µF 50V Z HCBS1H104ZFT
C134		nsp	nsp	CAP , CERAMIC	0.1µF 50V ZF CCKT1H104ZF
C135		nsp	nsp	CAP , CERAMIC	0.1µF 50V ZF CCKT1H104ZF
C136		nsp	nsp	CAP , CERAMIC	0.1µF 50V ZF CCKT1H104ZF
C137		nsp	OA10701620	CAP , ELECT	100µF 16V HCEA1CH101T
C138		nsp	nsp	CAP , CERAMIC	470pF 50V KB CCKT1H471KB
C139		nsp	nsp	CAP , CERAMIC	470pF 50V KB CCKT1H471KB
C140		nsp	nsp	CAP , CERAMIC	0.047µF 50V ZF CCKT1H473ZF
C141		nsp	nsp	CAP , CERAMIC	0.047µF 50V ZF CCKT1H473ZF
C142		nsp	nsp	CAP , CERAMIC	0.1µF 50V ZF CCKT1H104ZF
C143		nsp	nsp	CAP , CERAMIC	0.1µF 50V ZF CCKT1H104ZF
C144		nsp	nsp	CAP , CERAMIC	0.1µF 50V ZF CCKT1H104ZF
C145		nsp	OA47601640	CAP , ELECT	47µF 16V HCEA1CH470T
C147		nsp	OA47601640	CAP , ELECT	47µF 16V HCEA1CH470T
C148		nsp	OA47601640	CAP , ELECT	47µF 16V HCEA1CH470T
C150		nsp	OA47601640	CAP , ELECT	47µF 16V HCEA1CH470T
C151		nsp	nsp	CAP , CERAMIC	47pF 50V JC CCCT1H470JC
C152		nsp	nsp	CAP , CERAMIC	47pF 50V JC CCCT1H470JC
C153		nsp	nsp	CAP , CERAMIC	47pF 50V JC CCCT1H470JC
C154		nsp	nsp	CAP , CERAMIC	47pF 50V JC CCCT1H470JC
C155		nsp	nsp	CAP , CERAMIC	47pF 50V JC CCCT1H470JC
C156		nsp	nsp	CAP , CERAMIC	47pF 50V JC CCCT1H470JC
C157		nsp	OA47601640	CAP , ELECT	47µF 16V HCEA1CH470T
C158		nsp	OA47601640	CAP , ELECT	47µF 16V HCEA1CH470T
C159		nsp	nsp	CAP , CERAMIC	0.1µF 50V ZF CCKT1H104ZF
C160		nsp	OA10505020	CAP , ELECT	1µF 50V HCEA1HH1R0T
C161		nsp	nsp	CAP , CERAMIC	0.1µF 50V Z HCBS1H104ZFT
C162		nsp	OA10605020	CAP , ELECT	10µF 50V HCEA1HH100T
C163		nsp	OA47701020	CAP , ELECT	470µF 10V HCEA1AH471T
C164		nsp	OA10701620	CAP , ELECT	100µF 16V HCEA1CH101T
C165		nsp	nsp	CAP , CERAMIC	0.1µF 50V ZF CCKT1H104ZF
C167		nsp	OA47601640	CAP , ELECT	47µF 16V HCEA1CH470T
C168		nsp	nsp	CAP , CERAMIC	0.1µF 50V ZF CCKT1H104ZF
C173		nsp	nsp	CAP , CERAMIC	0.1µF 50V Z HCBS1H104ZFT
C174		nsp	nsp	CAP , CERAMIC	0.1µF 50V ZF CCKT1H104ZF

NOTE : \*nsp\* PART IS LISTED FOR REFERENCE ONLY, MARANTZ WILL NOT SUPPLY THESE PARTS.

POS. NO	VERS. COLOR	PART NO. (FOR EUR)	PART NO. (MJI)	DESCRIPTION
C175		nsp	OA47601640	CAP , ELECT 47µF 16V HCEA1CH470T
C176		nsp	nsp	CAP , CERAMIC 0.1µF 50V ZF CCKT1H104ZF
C178		nsp	nsp	CAP , CERAMIC 0.1µF 50V ZF CCKT1H104ZF
C183		nsp	OA10601620	CAP , ELECT 10µF 16V HCEA1CH100T
C184		nsp	OA10601620	CAP , ELECT 10µF 16V HCEA1CH100T
C195		nsp	OA47601640	CAP , ELECT 47µF 16V HCEA1CH470T
C201		nsp	OA10601620	CAP , ELECT 10µF 16V HCEA1CH100T
C202		nsp	OA10601620	CAP , ELECT 10µF 16V HCEA1CH100T
C206		nsp	nsp	CAP , CERAMIC 220pF 50V KB CCKT1H221KB
C207		nsp	nsp	CAP , CERAMIC 220pF 50V KB CCKT1H221KB
C210		nsp	OA10605020	CAP , ELECT 10µF 50V HCEA1HH100T
C211		OF15122540	OF15122540	CAP , MYLAR 1200pF 50V J HCQI1H122JZT
C301		nsp	OA10601620	CAP , ELECT 10µF 16V HCEA1CH100T
C302		nsp	OA10601620	CAP , ELECT 10µF 16V HCEA1CH100T
C306		nsp	nsp	CAP , CERAMIC 220pF 50V KB CCKT1H221KB
C307		nsp	nsp	CAP , CERAMIC 220pF 50V KB CCKT1H221KB
C310		nsp	OA10605020	CAP , ELECT 10µF 50V HCEA1HH100T
C311		OF15122540	OF15122540	CAP , MYLAR 1200pF 50V J HCQI1H122JZT
C399		nsp	nsp	CAP , CERAMIC 0.1µF 50V ZF CCKT1H104ZF
C400		nsp	nsp	CAP , CERAMIC 0.1µF 50V ZF CCKT1H104ZF
C401		nsp	nsp	CAP , CERAMIC 0.1µF 50V ZF CCKT1H104ZF
C402		nsp	nsp	CAP , CERAMIC 1000pF 50V KB CCKT1H102KB
C403		nsp	OA22701621	CAP , ELECT 220µF 16V HCEA1CH221T
C404		nsp	OA33505020	CAP , ELECT 3.3µF 50V HCEA1HH3R3T
C405		OF15182540	OF15182540	CAP , MYLAR 1800pF 50V J HCQI1H182JZT
C406		*OF100350R	*OF100350R	CAP , MYLAR 2200pF 50V J HCQI1H222JZT
C420		*OF100350R	*OF100350R	CAP , MYLAR 2200pF 50V J HCQI1H222JZT
C421		*OF100350R	*OF100350R	CAP , MYLAR 2200pF 50V J HCQI1H222JZT
C422		OF15182540	OF15182540	CAP , MYLAR 1800pF 50V J HCQI1H182JZT
C423		OF15182540	OF15182540	CAP , MYLAR 1800pF 50V J HCQI1H182JZT
C501		nsp	nsp	CAP , CERAMIC 33pF 50V JC CCCT1H330JC
C502		nsp	OA47601640	CAP , ELECT 47µF 16V HCEA1CH470T
C504		nsp	nsp	CAP , CERAMIC 100pF 50V KB CCKT1H101KB
C505		nsp	nsp	CAP , CERAMIC 0.1µF 50V ZF CCKT1H104ZF
C506		nsp	nsp	CAP , CERAMIC 0.1µF 50V ZF CCKT1H104ZF
C507		nsp	OA47601640	CAP , ELECT 47µF 16V HCEA1CH470T
C508		nsp	nsp	CAP , CERAMIC 100pF 50V KB CCKT1H101KB
C581		nsp	nsp	CAP , CERAMIC 0.1µF 50V ZF CCKT1H104ZF
C582		nsp	nsp	CAP , CERAMIC 0.1µF 50V ZF CCKT1H104ZF
C583		nsp	nsp	CAP , CERAMIC 0.1µF 50V ZF CCKT1H104ZF
C601		nsp	nsp	CAP , CERAMIC 2200pF 50V KB CCKT1H222KB
C603		nsp	nsp	CAP , CERAMIC 0.1µF 50V Z HCBS1H104ZFT
C604		nsp	OA10701620	CAP , ELECT 100µF 16V HCEA1CH101T
C605		nsp	OA10701620	CAP , ELECT 100µF 16V HCEA1CH101T
C606		nsp	nsp	CAP , CERAMIC 22pF 50V JC CCCT1H220JC
C607		nsp	nsp	CAP , CERAMIC 0.01µF 50V ZF CCKT1H103ZF
C609		nsp	OA10605020	CAP , ELECT 10µF 50V HCEA1HH100T
C610		nsp	nsp	CAP , CERAMIC 0.01µF 50V ZF CCKT1H103ZF
C611		nsp	nsp	CAP , CERAMIC 22pF 50V JC CCCT1H220JC
C612		nsp	nsp	CAP , CERAMIC 22pF 50V JC CCCT1H220JC
C613		nsp	nsp	CAP , CERAMIC 22pF 50V JC CCCT1H220JC
C614		nsp	nsp	CAP , CERAMIC 22pF 50V JC CCCT1H220JC
C701		EJ47601610	EJ47601610	CAP , ELECT 47µF 16V HCEA1CKS470T
C702		nsp	nsp	CAP , CERAMIC 0.1µF 50V Z HCBS1H104ZFT
C703		nsp	nsp	CAP , CERAMIC 1000pF 50V B HCBS1H102KBT
C704		nsp	nsp	CAP , CERAMIC 0.01µF 50V Z HCBS1H103ZFT
C706		EJ47601010	EJ47601010	CAP , ELECT 47µF 10V HCEA1AKS470T
C707		nsp	nsp	CAP , CERAMIC 18pF 50V JC HCBS1H180JCT
C708		nsp	nsp	CAP , CERAMIC 18pF 50V JC HCBS1H180JCT
C709		EJ10505010	EJ10505010	CAP , ELECT 1µF 50V HCEA1HKS1R0T
C710		nsp	nsp	CAP , CERAMIC 0.1µF 50V Z HCBS1H104ZFT
C712		EJ47601010	EJ47601010	CAP , ELECT 47µF 10V HCEA1AKS470T
C713		EJ47601010	EJ47601010	CAP , ELECT 47µF 10V HCEA1AKS470T
C731		EJ47601010	EJ47601010	CAP , ELECT 47µF 10V HCEA1AKS470T
C732		nsp	nsp	CAP , CERAMIC 0.01µF 50V Z HCBS1H103ZFT
C801		nsp	OA47505020	CAP , ELECT 4.7µF 50V HCEA1HH4R7T
C802		nsp	OA47505020	CAP , ELECT 4.7µF 50V HCEA1HH4R7T
C805		nsp	nsp	CAP , CERAMIC 220pF 50V KB CCKT1H221KB

NOTE : "nsp" PART IS LISTED FOR REFERENCE ONLY, MARANTZ WILL NOT SUPPLY THESE PARTS.

POS. NO	VERS. COLOR	PART NO. (FOR EUR)	PART NO. (MJI)	DESCRIPTION		
C806		nsp	nsp	CAP , CERAMIC	56pF 50V JC	CCCT1H560JC
C807		nsp	nsp	CAP , CERAMIC	56pF 50V JC	CCCT1H560JC
C808		nsp	nsp	CAP , CERAMIC	220pF 50V KB	CCKT1H221KB
C809		nsp	OA10701620	CAP , ELECT	100µF 16V	HCEA1CH101T
C810		nsp	OA10701620	CAP , ELECT	100µF 16V	HCEA1CH101T
C811		nsp	OA10601620	CAP , ELECT	10µF 16V	HCEA1CH100T
C812		nsp	OA10601620	CAP , ELECT	10µF 16V	HCEA1CH100T
C813		nsp	nsp	CAP , CERAMIC	0.022µF 50V ZF	CCKT1H223ZF
C814		nsp	nsp	CAP , CERAMIC	0.022µF 50V ZF	CCKT1H223ZF
C901		nsp	nsp	CAP , CERAMIC	0.1µF 50V ZF	CCKT1H104ZF
C902		nsp	nsp	CAP , CERAMIC	0.1µF 50V ZF	CCKT1H104ZF
C903		nsp	nsp	CAP , CERAMIC	0.1µF 50V ZF	CCKT1H104ZF
C904		nsp	nsp	CAP , CERAMIC	0.1µF 50V ZF	CCKT1H104ZF
C905		nsp	nsp	CAP , CERAMIC	0.022µF 50V ZF	CCKT1H223ZF
C906		nsp	OA47701620	CAP , ELECT	470µF 16V	HCEA1CH471T
C907		nsp	nsp	CAP , CERAMIC	0.022µF 50V ZF	CCKT1H223ZF
C908		nsp	OA10701620	CAP , ELECT	100µF 16V	HCEA1CH101T
C909		nsp	OA47701620	CAP , ELECT	470µF 16V	HCEA1CH471T
C910		nsp	nsp	CAP , CERAMIC	0.1µF 50V ZF	CCKT1H104ZF
▲ C911		OA338025S0	OA338025S0	CAP , ELECT	3300µF 25V	KCEA1EH332E
C912		nsp	nsp	CAP , CERAMIC	0.1µF 50V ZF	CCKT1H104ZF
▲ C913		OA338025S0	OA338025S0	CAP , ELECT	3300µF 25V	KCEA1EH332E
C914		nsp	nsp	CAP , CERAMIC	0.1µF 50V ZF	CCKT1H104ZF
▲ C915		OA338025S0	OA338025S0	CAP , ELECT	3300µF 25V	KCEA1EH332E
C916		nsp	OA10605020	CAP , ELECT	10µF 50V	HCEA1HH100T
C917		nsp	nsp	CAP , CERAMIC	0.1µF 50V ZF	CCKT1H104ZF
C918		nsp	OA22505020	CAP , ELECT	2.2µF 50V	HCEA1HH2R2T
C919		nsp	OA10605020	CAP , ELECT	10µF 50V	HCEA1HH100T
C920		nsp	nsp	CAP , CERAMIC	0.1µF 50V ZF	CCKT1H104ZF
C921		nsp	nsp	CAP , CERAMIC	0.047µF 50V ZF	CCKT1H473ZF
C922		nsp	nsp	CAP , CERAMIC	0.033µF 50V ZF	CCKT1H333ZF
C923		nsp	nsp	CAP , CERAMIC	0.1µF 50V ZF	CCKT1H104ZF
C924		nsp	nsp	CAP , CERAMIC	0.1µF 50V ZF	CCKT1H104ZF
C925		nsp	nsp	CAP , CERAMIC	0.1µF 50V ZF	CCKT1H104ZF
▲ C926		*DK100770R	*DK100770R	CAP , CERAMIC(X1/Y2/SC)	0.0047µF/2.5KV	KCKDKS472ME
C927		nsp	OA10702520	CAP , ELECT	100µF 25V	HCEA1EH101T
C928		nsp	OA10702520	CAP , ELECT	100µF 25V	HCEA1EH101T
C930		nsp	OA10701620	CAP , ELECT	100µF 16V	HCEA1CH101T
C931		nsp	OA10701620	CAP , ELECT	100µF 16V	HCEA1CH101T
C932		nsp	OA10701620	CAP , ELECT	100µF 16V	HCEA1CH101T
C933		nsp	OA10701620	CAP , ELECT	100µF 16V	HCEA1CH101T
C951		nsp	OA10605020	CAP , ELECT	10µF 50V	HCEA1HH100T
CM71		nsp	nsp	WAFER , C.CABLE	LG	KJP29GA117ZG
CN12		nsp	nsp	WAFER	MOLEX53014-0610	KJP06GA19ZM
CN13		nsp	nsp	WAFER	MOLEX53014-0510	KJP05GA19ZM
CN16		nsp	nsp	WAFER , CARD CABLE (STRAIGH	GF102-16S-TS	KJP16GA117ZG
CN61		nsp	nsp	WAFER	MOLEX53014-0510	KJP05GA19ZM
CN62		nsp	nsp	WAFER		KJP04GA19ZM
CN71		nsp	nsp	WAFER , C.CABLE	LG	KJP29GA117ZG
CN72		nsp	nsp	WAFER		KJP04GA19ZM
CN81		nsp	nsp	WAFER	MOLEX53014-0910	KJP09GA19ZM
CN91		YP04000760	YP04000760	WAFER	7.92MM(YUNHO)	KJP02KA060ZY
CN92		YP04000760	YP04000760	WAFER	MOLEX35328-02	KJP02GA89ZM
CN93		nsp	nsp	WAFER	MOLEX 5267-10A	KJP10GA01ZM
D111		*HD302140R	*HD302140R	DIODE , ZENER	4.3V 1/2W	HVDMTZJ4.3CT
D403		nsp	HD20015210	DIODE	1SS133T-77	HVD1SS133MT
D404		nsp	HD20015210	DIODE	1SS133T-77	HVD1SS133MT
D405		nsp	HD20015210	DIODE	1SS133T-77	HVD1SS133MT
D406		nsp	HD20015210	DIODE	1SS133T-77	HVD1SS133MT
D407		nsp	HD20015210	DIODE	1SS133T-77	HVD1SS133MT
D408		HD30621000	HD30621000	DIODE , ZENER	MTZJ6.2B	HVDMTZJ6.2BT
D409		nsp	HD20015210	DIODE	1SS133T-77	HVD1SS133MT
D410		nsp	HD20015210	DIODE	1SS133T-77	HVD1SS133MT
D411		nsp	HD20015210	DIODE	1SS133T-77	HVD1SS133MT
D701		*HI101050R	*HI101050R	L.E.D , RED	ROHM SLR-325	KVDSLRL325VCA47
D702		*HI101050R	*HI101050R	L.E.D , RED	ROHM SLR-325	KVDSLRL325VCA47
▲ D901		HD20015210	HD20015210	DIODE	1SS133T-77	HVD1SS133MT
▲ D902		HD20015210	HD20015210	DIODE	1SS133T-77	HVD1SS133MT

NOTE : \*nsp\* PART IS LISTED FOR REFERENCE ONLY, MARANTZ WILL NOT SUPPLY THESE PARTS.

POS. NO	VERS. COLOR	PART NO. (FOR EUR)	PART NO. (MJI)	DESCRIPTION		
▲	D904	*HD201730R	*HD201730R	DIODE	1N4003	KVD1N4003ST
▲	D905	*HD201730R	*HD201730R	DIODE	1N4003	KVD1N4003ST
▲	D906	*HD201730R	*HD201730R	DIODE	1N4003	KVD1N4003ST
▲	D907	*HD201730R	*HD201730R	DIODE	1N4003	KVD1N4003ST
▲	D908	*HD201730R	*HD201730R	DIODE	1N4003	KVD1N4003ST
▲	D909	*HD201730R	*HD201730R	DIODE	1N4003	KVD1N4003ST
▲	D910	HD30621000	HD30621000	DIODE , ZENER	MTZJ6.2B	HVDMTZJ6.2BT
▲	D911	*HD201730R	*HD201730R	DIODE	1N4003	KVD1N4003ST
▲	D912	*HD201730R	*HD201730R	DIODE	1N4003	KVD1N4003ST
▲	D913	*HD201730R	*HD201730R	DIODE	1N4003	KVD1N4003ST
▲	D914	*HD201730R	*HD201730R	DIODE	1N4003	KVD1N4003ST
	D915	nsp	*HD201730R	DIODE	1N4003	KVD1N4003ST
▲	D916	*HD301740R	*HD301740R	DIODE , ZENER	33V 1/2W	HVDMTZJ33BT
▲	D917	HD30621000	HD30621000	DIODE , ZENER	MTZJ6.2B	HVDMTZJ6.2BT
	D920	nsp	*HD201740R	DIODE	1SS133T-77	HVD1SS133MT
	D921	nsp	*HD201740R	DIODE	1SS133T-77	HVD1SS133MT
	F001	nsp	nsp	HOLDER , FUSE		KJCF5S
	F002	nsp	nsp	HOLDER , FUSE		KJCF5S
▲	F901 /F1N/U1B	nsp	*FS001030R	FUSE		KBA2C0630TLUZ
▲	F901 /N/T1B	*FS001040R	*FS001040R	FUSE PH		KBA2C0315TLEZ
	FIP1	*HQ300610R	*HQ300610R	F.I.P		HFLHCA12SS18T
	IC11	*HC108330R	*HC108330R	I.C , DIGITAL SERVO HEAD AMP	TA2157FN	HVITA2157FN
	IC12	HC000700K0	HC000700K0	I.C , HEX INVERTER		HVI74ACT04SC
	IC13	*HC108340R	*HC108340R	I.C , MOTOR DRIVER	TA2125AF	HVITA2125AF
	IC14	*HC108350R	*HC108350R	I.C , DAC	CS4392KS	HVICS4392KS
	IC15	HC10102090	HC10102090	I.C , OP AMP	NJM2068MD-TE1	HVINJM2068MDTE1
	IC16	HC10102090	HC10102090	I.C , OP AMP	NJM2068MD-TE1	HVINJM2068MDTE1
	IC17	HC700400Z0	HC700400Z0	I.C , INVERTER	TC74HCU04AFN	HVITC74HCU04AFN
	IC19	*HC300500R	*HC300500R	I.C, REGULATOR	KA7805-ABTU	HVIMC7805C
	IC61	HC10225210	HC10225210	I.C ( DUAL PLL SYNTHESIZER )	BU2630FV	BVIBU2630FV
	IC62	HC762837Z0	HC762837Z0	I.C VCO	T.I	HVITC74LS628
	IC64	*HC108360R	*HC108360R	I.C , DSP	TOSHIBA	HVITC94A14FA
	IC71	*HU100660R	*HU100660R	I.C , O.T.P	TMP87PS71AF	HVITMP87PS71AF
	IC72	*HC108370R	*HC108370R	I.C , 256K SRAM TW	IS61C256AH-15J	BVIIS61C256A15J
	IC73	HC700400Z0	HC700400Z0	I.C , INVERTER	TC74HCU04AFN	HVITC74HCU04AFN
	IC81	HC10200090	HC10200090	I.C	NJM4556AL	HVINJM4556AL
▲	IC91	*HC300510R	*HC300510R	I.C, REGULATOR	KA7808-ABTU	KVIKA7808A
▲	IC92	*HC300500R	*HC300500R	I.C, REGULATOR	KA7805-ABTU	HVIMC7805C
▲	IC93	*HC300520R	*HC300520R	I.C, REGULATOR	KA7812-ABTU	HVIMC7812C
▲	IC94	*HC300530R	*HC300530R	I.C, REGULATOR	KA7912-ABTU	HVIMC7912C
	J002					
	J019	nsp	nsp	WIRE , COPPER	SN95/PB5 , 0.6	C3A206
	J100					
	J112	nsp	nsp	WIRE , COPPER	SN95/PB5 , 0.6	C3A206
	J116	nsp	nsp	WIRE , COPPER	SN95/PB5 , 0.6	C3A206
	J119	nsp	nsp	WIRE , COPPER	SN95/PB5 , 0.6	C3A206
	J120	nsp	nsp	WIRE , COPPER	SN95/PB5 , 0.6	C3A206
	J121	nsp	nsp	WIRE , COPPER	SN95/PB5 , 0.6	C3A206
	J123					
	J131	nsp	nsp	WIRE , COPPER	SN95/PB5 , 0.6	C3A206
	J134					
	J157	nsp	nsp	WIRE , COPPER	SN95/PB5 , 0.6	C3A206
	J159					
	J165	nsp	nsp	WIRE , COPPER	SN95/PB5 , 0.6	C3A206
	J168					
	J173	nsp	nsp	WIRE , COPPER	SN95/PB5 , 0.6	C3A206
	J177	nsp	nsp	WIRE , COPPER	SN95/PB5 , 0.6	C3A206
	J178	nsp	nsp	WIRE , COPPER	SN95/PB5 , 0.6	C3A206
	J179	nsp	nsp	WIRE , COPPER	SN95/PB5 , 0.6	C3A206
	J180	nsp	nsp	WIRE , COPPER	SN95/PB5 , 0.6	C3A206
	J182	nsp	nsp	WIRE , COPPER	SN95/PB5 , 0.6	C3A206
	J183	nsp	nsp	WIRE , COPPER	SN95/PB5 , 0.6	C3A206

NOTE : "nsp" PART IS LISTED FOR REFERENCE ONLY, MARANTZ WILL NOT SUPPLY THESE PARTS.



POS. NO	VERS. COLOR	PART NO. (FOR EUR)	PART NO. (MJ)	DESCRIPTION		
J184						
		nsp	nsp	WIRE , COPPER	SN95/PB5 , 0.6	C3A206
J189						
J192		nsp	nsp	WIRE , COPPER	SN95/PB5 , 0.6	C3A206
J195						
		nsp	nsp	WIRE , COPPER	SN95/PB5 , 0.6	C3A206
J201						
J214		nsp	nsp	WIRE , COPPER	SN95/PB5 , 0.6	C3A206
J215		nsp	nsp	WIRE , COPPER	SN95/PB5 , 0.6	C3A206
J217		nsp	nsp	WIRE , COPPER	SN95/PB5 , 0.6	C3A206
J218		nsp	nsp	WIRE , COPPER	SN95/PB5 , 0.6	C3A206
J220						
		nsp	nsp	WIRE , COPPER	SN95/PB5 , 0.6	C3A206
J225						
J231		nsp	nsp	WIRE , COPPER	SN95/PB5 , 0.6	C3A206
J241		nsp	nsp	WIRE , COPPER	SN95/PB5 , 0.6	C3A206
J242		nsp	nsp	WIRE , COPPER	SN95/PB5 , 0.6	C3A206
J301		nsp	nsp	WIRE , COPPER	SN95/PB5 , 0.6	C3A206
J302		nsp	nsp	WIRE , COPPER	SN95/PB5 , 0.6	C3A206
J702						
		nsp	nsp	WIRE , COPPER	SN95/PB5 , 0.6	C3A206
J723						
J725						
		nsp	nsp	WIRE , COPPER	SN95/PB5 , 0.6	C3A206
J737						
J740		nsp	nsp	WIRE , COPPER	SN95/PB5 , 0.6	C3A206
J741		nsp	nsp	WIRE , COPPER	SN95/PB5 , 0.6	C3A206
J774		nsp	nsp	WIRE , COPPER	SN95/PB5 , 0.6	C3A206
J793		nsp	nsp	WIRE , COPPER	SN95/PB5 , 0.6	C3A206
J798		nsp	nsp	WIRE , COPPER	SN95/PB5 , 0.6	C3A206
J901		nsp	nsp	WIRE , COPPER	SN95/PB5 , 0.6	C3A206
J902		nsp	nsp	WIRE , COPPER	SN95/PB5 , 0.6	C3A206
JK51		*YT003100R	*YT003100R	JACK , BOARD	1P (GOLD)	CJJ4M045Z
JK52		*YJ002670R	*YJ002670R	MODULE , OPTICAL(TX)	TOTX179L	HJSTOTX179L
JK53		*YT003110R	*YT003110R	JACK , BOARD	2P (GOLD)	CJJ4N060Z
JK54		*YT003120R	*YT003120R	JACK , IN/OUT	2P (GOLD)	CJJ4N036Z
JW01		nsp	nsp	WIRE (1P)	WIRE	CWE7202080AR
L101		nsp	nsp	COIL , AXAIL		HLQ02C100KT
L102		nsp	nsp	COIL , AXAIL		HLQ02C100KT
PH81		*YT002350R	*YT002350R	JACK , HEADPHONE	HTJ-064-05NG	HJJ2E020Z
Q101		*HT600010R	*HT600010R	T.R	TKTA1266YT	HVTKTA1266YT
▲ Q111		*HT800040R	*HT800040R	T.R	KSC2316Y	HVTKSC2316YT
Q403		*HT600010R	*HT600010R	T.R	TKTA1266YT	HVTKTA1266YT
Q404		*HT400450R	*HT400450R	T.R	KTD1302	HVTKTD1302T
Q405		*HT400450R	*HT400450R	T.R	KTD1302	HVTKTD1302T
Q406		*HT400450R	*HT400450R	T.R	KTD1302	HVTKTD1302T
Q407		*HT400450R	*HT400450R	T.R	KTD1302	HVTKTD1302T
Q420		*BA001490R	*BA001490R	T.R	KRA104M	HVTKRA104MT
Q421		*BA001460R	*BA001460R	T.R	KRC107M	HVTKRC107MT
Q422		*BA001490R	*BA001490R	T.R	KRA104M	HVTKRA104MT
Q423		*BA001460R	*BA001460R	T.R	KRC107M	HVTKRC107MT
Q701		*BA001460R	*BA001460R	T.R	KRC107M	HVTKRC107MT
Q702		*BA001460R	*BA001460R	T.R	KRC107M	HVTKRC107MT
Q704		*BA001460R	*BA001460R	T.R	KRC107M	HVTKRC107MT
Q705		*BA001500R	*BA001500R	T.R	KRC111M	HVTKRC111MT
Q706		*BA001500R	*BA001500R	T.R	KRA111M	HVTKRA111MT
Q707		*BA001490R	*BA001490R	T.R	KRA104M	HVTKRA104MT
Q708		*BA001490R	*BA001490R	T.R	KRA104M	HVTKRA104MT
Q801		*HT400450R	*HT400450R	T.R	KTD1302	HVTKTD1302T
Q802		*HT400450R	*HT400450R	T.R	KTD1302	HVTKTD1302T
Q803		*HT400450R	*HT400450R	T.R	KTD1302	HVTKTD1302T
Q804		*HT400450R	*HT400450R	T.R	KTD1302	HVTKTD1302T
Q901		HT327851H0	HT327851H0	T.R	KSC2785Y(DEAD)	HVTKSC2785YT
▲ Q902		*HT800040R	*HT800040R	T.R	KSC2316Y	HVTKSC2316YT
Q904		*HT800040R	*HT800040R	T.R	KSC2316Y	HVTKSC2316YT
Q951		HT30001000	HT30001000	T.R	KTC3199Y	HVTKTC3199YT
Q952		*BA001490R	*BA001490R	T.R	KRA104M	HVTKRA104MT
R100		nsp	nsp	RES , CARBON	47Ω 1/5W J	CRD20TJ470T

NOTE : \*nsp\* PART IS LISTED FOR REFERENCE ONLY, MARANTZ WILL NOT SUPPLY THESE PARTS.

POS. NO	VERS. COLOR	PART NO. (FOR EUR)	PART NO. (MJI)	DESCRIPTION	
R105		nsp	nsp	RES , CARBON	2.2Ω 1/5W J CRD20TJ2R2T
R106		nsp	nsp	RES , CARBON	68kΩ 1/5W J CRD20TJ683T
R107		nsp	nsp	RES , CARBON	68kΩ 1/5W J CRD20TJ683T
R108		nsp	nsp	RES , CARBON	68kΩ 1/5W J CRD20TJ683T
R109		nsp	nsp	RES , CARBON	68kΩ 1/5W J CRD20TJ683T
R110		nsp	nsp	RES , CARBON	82kΩ 1/5W J CRD20TJ823T
R111		nsp	nsp	RES , CARBON	82kΩ 1/5W J CRD20TJ823T
R112		nsp	nsp	RES , CARBON	91Ω 1/5W J CRD20TJ910T
R113		nsp	nsp	RES , CARBON	10Ω 1/5W J CRD20TJ100T
R114		nsp	nsp	RES , CARBON	68kΩ 1/5W J CRD20TJ683T
R115		nsp	nsp	RES , CARBON	820Ω 1/5W J CRD20TJ821T
R116		nsp	nsp	RES , CARBON	33kΩ 1/5W J CRD20TJ333T
R117		nsp	nsp	RES , CARBON	10kΩ 1/5W J CRD20TJ103T
R118		nsp	nsp	RES , CARBON	1kΩ 1/5W J CRD20TJ102T
R119		nsp	nsp	RES , CARBON	2.2kΩ 1/5W J CRD20TJ222T
R120		nsp	nsp	RES , CARBON	10kΩ 1/5W J CRD20TJ103T
R121		nsp	nsp	RES , CARBON	100Ω 1/5W J CRD20TJ101T
R122		nsp	nsp	RES , CARBON	22kΩ 1/5W J CRD20TJ223T
R123		nsp	nsp	RES , CARBON	47kΩ 1/5W J CRD20TJ473T
R124		nsp	nsp	RES , CARBON	470kΩ 1/5W J CRD20TJ474T
R125		nsp	nsp	RES , CARBON	2.2M 1/5W J CRD20TJ225T
R126		nsp	nsp	RES , CARBON	15kΩ 1/5W J CRD20TJ153T
R127		nsp	nsp	RES , CARBON	100Ω 1/5W J CRD20TJ101T
R128		nsp	nsp	RES , CARBON	100Ω 1/5W J CRD20TJ101T
R129		nsp	nsp	RES , CARBON	5.6kΩ 1/5W J CRD20TJ562T
R130		nsp	nsp	RES , CARBON	220Ω 1/5W J CRD20TJ221T
R132		nsp	nsp	RES , CARBON	100Ω 1/5W J CRD20TJ101T
R133		nsp	nsp	RES , CARBON	3.3kΩ 1/5W J CRD20TJ332T
R134		nsp	nsp	RES , CARBON	100Ω 1/5W J CRD20TJ101T
R135		nsp	nsp	RES , CARBON	470Ω 1/5W J CRD20TJ471T
R146		nsp	nsp	RES , CARBON	4.7Ω 1/5W J CRD20TJ4R7T
R147		nsp	nsp	RES , CARBON	4.7Ω 1/5W J CRD20TJ4R7T
R148		nsp	nsp	RES , CARBON	4.7Ω 1/5W J CRD20TJ4R7T
R149		nsp	nsp	RES , CARBON	4.7Ω 1/5W J CRD20TJ4R7T
R151		nsp	nsp	RES , CARBON	330Ω 1/5W J CRD20TJ331T
R152		nsp	nsp	RES , CARBON	330Ω 1/5W J CRD20TJ331T
R153		nsp	nsp	RES , CARBON	330Ω 1/5W J CRD20TJ331T
R154		nsp	nsp	RES , CARBON	330Ω 1/5W J CRD20TJ331T
R155		nsp	nsp	RES , CARBON	330Ω 1/5W J CRD20TJ331T
R156		nsp	nsp	RES , CARBON	330Ω 1/5W J CRD20TJ331T
R157		nsp	nsp	RES , CARBON	680Ω 1/5W J CRD20TJ681T
R164		nsp	nsp	RES , CARBON	470Ω 1/5W J CRD20TJ471T
R201		nsp	nsp	RES , CARBON	8.2kΩ 1/5W J CRD20TJ822T
R202		nsp	nsp	RES , CARBON	8.2kΩ 1/5W J CRD20TJ822T
R203		nsp	nsp	RES , CARBON	10kΩ 1/5W J CRD20TJ103T
R204		nsp	nsp	RES , CARBON	3.3kΩ 1/5W J CRD20TJ332T
R205		nsp	nsp	RES , CARBON	3.3kΩ 1/5W J CRD20TJ332T
R206		nsp	nsp	RES , CARBON	10kΩ 1/5W J CRD20TJ103T
R207		nsp	nsp	RES , CARBON	2.7kΩ 1/5W J CRD20TJ272T
R209		nsp	nsp	RES , CARBON	750Ω 1/5W J CRD20TJ751T
R301		nsp	nsp	RES , CARBON	8.2kΩ 1/5W J CRD20TJ822T
R302		nsp	nsp	RES , CARBON	8.2kΩ 1/5W J CRD20TJ822T
R303		nsp	nsp	RES , CARBON	10kΩ 1/5W J CRD20TJ103T
R304		nsp	nsp	RES , CARBON	3.3kΩ 1/5W J CRD20TJ332T
R305		nsp	nsp	RES , CARBON	3.3kΩ 1/5W J CRD20TJ332T
R306		nsp	nsp	RES , CARBON	10kΩ 1/5W J CRD20TJ103T
R307		nsp	nsp	RES , CARBON	2.7kΩ 1/5W J CRD20TJ272T
R309		nsp	nsp	RES , CARBON	750Ω 1/5W J CRD20TJ751T
R402		nsp	nsp	RES , CARBON	1kΩ 1/5W J CRD20TJ102T
R403		nsp	nsp	RES , CARBON	220Ω 1/5W J CRD20TJ221T
R404		nsp	nsp	RES , CARBON	470kΩ 1/5W J CRD20TJ474T
R405		nsp	nsp	RES , CARBON	3.3kΩ 1/5W J CRD20TJ332T
R406		nsp	nsp	RES , CARBON	1kΩ 1/5W J CRD20TJ102T
R407		nsp	nsp	RES , CARBON	1kΩ 1/5W J CRD20TJ102T
R408		nsp	nsp	RES , CARBON	1kΩ 1/5W J CRD20TJ102T
R409		nsp	nsp	RES , CARBON	1kΩ 1/5W J CRD20TJ102T
R410		nsp	nsp	RES , CARBON	47kΩ 1/5W J CRD20TJ473T
R411		nsp	nsp	RES , CARBON	47kΩ 1/5W J CRD20TJ473T

NOTE : "nsp" PART IS LISTED FOR REFERENCE ONLY, MARANTZ WILL NOT SUPPLY THESE PARTS.

POS. NO	VERS. COLOR	PART NO. (FOR EUR)	PART NO. (MJI)	DESCRIPTION		
R412		nsp	nsp	RES , CARBON	220Ω 1/5W J	CRD20TJ221T
R413		nsp	nsp	RES , CARBON	220Ω 1/5W J	CRD20TJ221T
R414		nsp	nsp	RES , CARBON	220Ω 1/5W J	CRD20TJ221T
R415		nsp	nsp	RES , CARBON	220Ω 1/5W J	CRD20TJ221T
R416		nsp	nsp	RES , CARBON	470kΩ 1/5W J	CRD20TJ474T
R417		nsp	nsp	RES , CARBON	470kΩ 1/5W J	CRD20TJ474T
R501		nsp	nsp	RES , CARBON	10Ω 1/5W J	CRD20TJ100T
R502		nsp	nsp	RES , CARBON	10Ω 1/5W J	CRD20TJ100T
R503		nsp	nsp	RES , CARBON	100Ω 1/5W J	CRD20TJ101T
R504		nsp	nsp	RES , CARBON	4.7kΩ 1/5W J	CRD20TJ472T
R505		nsp	nsp	RES , CARBON	100kΩ 1/5W J	CRD20TJ104T
R506		nsp	nsp	RES , CARBON	4.7kΩ 1/5W J	CRD20TJ472T
R507		nsp	nsp	RES , CARBON	100kΩ 1/5W J	CRD20TJ104T
R508		nsp	nsp	RES , CARBON	75Ω 1/5W J	CRD20TJ750T
R509		nsp	nsp	RES , CARBON	75Ω 1/5W J	CRD20TJ750T
R601		nsp	nsp	RES , CARBON	22Ω 1/5W J	CRD20TJ220T
R602		nsp	nsp	RES , CARBON	1MΩ 1/5W J	CRD20TJ105T
R603		nsp	nsp	RES , CARBON	100Ω 1/5W J	CRD20TJ101T
R606		nsp	nsp	RES , CARBON	100Ω 1/5W J	CRD20TJ101T
R607		nsp	nsp	RES , CARBON	100Ω 1/5W J	CRD20TJ101T
R608		nsp	nsp	RES , CARBON	100Ω 1/5W J	CRD20TJ101T
R609		nsp	nsp	RES , CARBON	220Ω 1/5W J	CRD20TJ221T
R610		nsp	nsp	RES , CARBON	10kΩ 1/5W J	CRD20TJ103T
R611		nsp	nsp	RES , CARBON	680Ω 1/5W J	CRD20TJ681T
R612		nsp	nsp	RES , CARBON	10Ω 1/5W J	CRD20TJ100T
R613		nsp	nsp	RES , CARBON	1Ω 1/5W J	CRD20TJ1R0T
R615		nsp	nsp	RES , CARBON	4.7kΩ 1/5W J	CRD20TJ472T
R616		nsp	nsp	RES , CARBON	4.7kΩ 1/5W J	CRD20TJ472T
R617		nsp	nsp	RES , CARBON	4.7kΩ 1/5W J	CRD20TJ472T
R618		nsp	nsp	RES , CARBON	680Ω 1/5W J	CRD20TJ681T
R619		nsp	nsp	RES , CARBON	680Ω 1/5W J	CRD20TJ681T
R701		nsp	nsp	RES , CARBON	10kΩ 1/5W J	CRD20TJ103T
R702		nsp	nsp	RES , CARBON	1.8kΩ 1/5W J	CRD20TJ182T
R703		nsp	nsp	RES , CARBON	1.5kΩ 1/5W J	CRD20TJ152T
R704		nsp	nsp	RES , CARBON	1kΩ 1/5W J	CRD20TJ102T
R705		nsp	nsp	RES , CARBON	10kΩ 1/5W J	CRD20TJ103T
R706		nsp	nsp	RES , CARBON	3.3kΩ 1/5W J	CRD20TJ332T
R707		nsp	nsp	RES , CARBON	2.7kΩ 1/5W J	CRD20TJ272T
R708		nsp	nsp	RES , CARBON	1.8kΩ 1/5W J	CRD20TJ182T
R709		nsp	nsp	RES , CARBON	1.5kΩ 1/5W J	CRD20TJ152T
R710		nsp	nsp	RES , CARBON	1kΩ 1/5W J	CRD20TJ102T
R713		nsp	nsp	RES , CARBON	330Ω 1/5W J	CRD20TJ331T
R714		nsp	nsp	RES , CARBON	330Ω 1/5W J	CRD20TJ331T
R720		nsp	nsp	RES , CARBON	47kΩ 1/5W J	CRD20TJ473T
R721						
}		nsp	nsp	RES , CARBON	10kΩ 1/5W J	CRD20TJ103T
R733						
R734		nsp	nsp	RES , CARBON	1kΩ 1/5W J	CRD20TJ102T
R735		nsp	nsp	RES , CARBON	6.8kΩ 1/5W J	CRD20TJ682T
R736		nsp	nsp	RES , CARBON	1kΩ 1/5W J	CRD20TJ102T
R737		nsp	nsp	RES , CARBON	10kΩ 1/5W J	CRD20TJ103T
R738		nsp	nsp	RES , CARBON	10kΩ 1/5W J	CRD20TJ103T
R739		nsp	nsp	RES , CARBON	10kΩ 1/5W J	CRD20TJ103T
R740		nsp	nsp	RES , CARBON	10kΩ 1/5W J	CRD20TJ103T
R741		nsp	nsp	RES , CARBON	10kΩ 1/5W J	CRD20TJ103T
R742		nsp	nsp	RES , CARBON	10kΩ 1/5W J	CRD20TJ103T
R743		nsp	nsp	RES , CARBON	10kΩ 1/5W J	CRD20TJ103T
R744		nsp	nsp	RES , CARBON	10kΩ 1/5W J	CRD20TJ103T
R745						
}		nsp	nsp	RES , CARBON	3.3kΩ 1/5W J	CRD20TJ332T
R767						
R768		nsp	nsp	RES , CARBON	2.2kΩ 1/5W J	CRD20TJ222T
R801		nsp	nsp	RES , CARBON	100Ω 1/5W J	CRD20TJ101T
R802		nsp	nsp	RES , CARBON	100Ω 1/5W J	CRD20TJ101T
R803		nsp	nsp	RES , CARBON	47kΩ 1/5W J	CRD20TJ473T
R804		nsp	nsp	RES , CARBON	47kΩ 1/5W J	CRD20TJ473T
R805		nsp	nsp	RES , CARBON	33kΩ 1/5W J	CRD20TJ333T
R806		nsp	nsp	RES , CARBON	33kΩ 1/5W J	CRD20TJ333T

NOTE : \*nsp\* PART IS LISTED FOR REFERENCE ONLY, MARANTZ WILL NOT SUPPLY THESE PARTS.

POS. NO	VERS. COLOR	PART NO. (FOR EUR)	PART NO. (MJI)	DESCRIPTION		
R807		nsp	nsp	RES , CARBON	100Ω 1/5W J	CRD20TJ101T
R808		nsp	nsp	RES , CARBON	100Ω 1/5W J	CRD20TJ101T
R809		nsp	nsp	RES , CARBON	47kΩ 1/5W J	CRD20TJ473T
R810		nsp	nsp	RES , CARBON	47kΩ 1/5W J	CRD20TJ473T
R811		nsp	nsp	RES , CARBON	56Ω 1/5W J	CRD20TJ560T
R812		nsp	nsp	RES , CARBON	56Ω 1/5W J	CRD20TJ560T
R813		nsp	nsp	RES , CARBON	10kΩ 1/5W J	CRD20TJ103T
R814		nsp	nsp	RES , CARBON	10kΩ 1/5W J	CRD20TJ103T
R815		nsp	nsp	RES , CARBON	4.7kΩ 1/5W J	CRD20TJ472T
R816		nsp	nsp	RES , CARBON	4.7kΩ 1/5W J	CRD20TJ472T
R817		nsp	nsp	RES , CARBON	56Ω 1/5W J	CRD20TJ560T
R818		nsp	nsp	RES , CARBON	56Ω 1/5W J	CRD20TJ560T
R820		nsp	nsp	RES , CARBON	4.7kΩ 1/5W J	CRD20TJ472T
R821		nsp	nsp	RES , CARBON	4.7kΩ 1/5W J	CRD20TJ472T
R901		nsp	nsp	RES , CARBON	2.2Ω 1/5W J	CRD20TJ2R2T
R902		nsp	nsp	RES , CARBON	3.3kΩ 1/5W J	CRD20TJ332T
R903		nsp	nsp	RES , CARBON	1Ω 1/5W J	CRD20TJ1R0T
R904		nsp	nsp	RES , CARBON	1Ω 1/5W J	CRD20TJ1R0T
R905		nsp	nsp	RES , CARBON	10kΩ 1/5W J	CRD20TJ103T
R906		nsp	nsp	RES , CARBON	3.3kΩ 1/5W J	CRD20TJ332T
R907		nsp	nsp	RES , CARBON	47kΩ 1/5W J	CRD20TJ473T
R909		nsp	nsp	RES , CARBON	47kΩ 1/5W J	CRD20TJ473T
R910		nsp	nsp	RES , CARBON	1kΩ 1/5W J	CRD20TJ102T
R911		nsp	nsp	RES , CARBON	1kΩ 1/5W J	CRD20TJ102T
R912		nsp	nsp	RES , CARBON	3.3kΩ 1/5W J	CRD20TJ332T
R913		nsp	nsp	RES , CARBON	12kΩ 1/5W J	CRD20TJ123T
R914		nsp	nsp	RES , CARBON	100Ω 1/5W J	CRD20TJ101T
R915		nsp	nsp	RES , CARBON	100Ω 1/5W J	CRD20TJ101T
R916		nsp	nsp	RES , CARBON	22kΩ 1/5W J	CRD20TJ223T
R961		nsp	nsp	RES , CARBON	47Ω 1/5W J	CRD20TJ470T
R962		nsp	nsp	RES , CARBON	47kΩ 1/5W J	CRD20TJ473T
R963		nsp	nsp	RES , CARBON	18kΩ 1/5W J	CRD20TJ183T
R964		nsp	nsp	RES , CARBON	18kΩ 1/5W J	CRD20TJ183T
R965		nsp	nsp	RES , CARBON	100Ω 1/5W J	CRD20TJ101T
R966		nsp	nsp	RES , CARBON	10kΩ 1/5W J	CRD20TJ103T
RC71		HW10004210	HW10004210	IR SENSOR	RPM6936-V4	BRVRPM6936V4
▲ RY91		*LY000340R	*LY000340R	RELAY	SDT-S-112DMR	HSL1A008ZE
S701						
S711		*SP001230R	*SP001230R	SW , TACT		CST1A016ZT
SW51		*SS000710R	*SS000710R	SWITCH , SLIDE		KSS2B016Z
▲ T901	/F1N	nsp	*TS001900R	TRANS , POWER (DM)		CLT5M025ZJ
▲ T901	/N/T1B	*TS001910R	*TS001910R	TRANS , POWER (EUR/UK)		CLT5M025ZE
▲ T901	/U1B	nsp	*TS001920R	TRANS , POWER (TC)		CLT5M025ZU
▲ T902	/U1B	nsp	*TS001860R	TRANS, SUB (120V/12V)	SR4320/U1B	CLT5I001ZU
▲ T902	/N/T1B	*TS001870R	*TS001870R	TRANS, SUB (230V/12V)	SR4320/A1B	CLT5I001ZE
▲ T902	/F1N	nsp	*TS001930R	TRANS , SUB (DM)		CLT5I001ZJ
TM01		nsp	nsp	PLATE , EARTH		CMC1A111
VR81		*RM000440R	*RM000440R	RES , VR		HVV2J01B104Z
X601		*JX001060R	*JX001060R	CRYSTAL	8.467MHz	HOX08467E120C
X701		*JX001030R	*JX001030R	CRYSTAL	8MHz	HOX08000E160C

NOTE : "nsp" PART IS LISTED FOR REFERENCE ONLY, MARANTZ WILL NOT SUPPLY THESE PARTS.